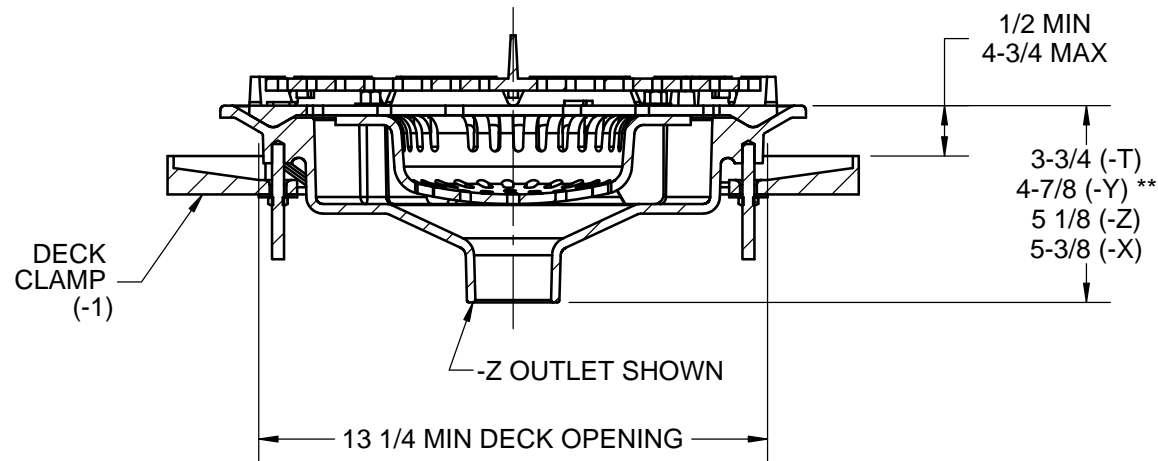
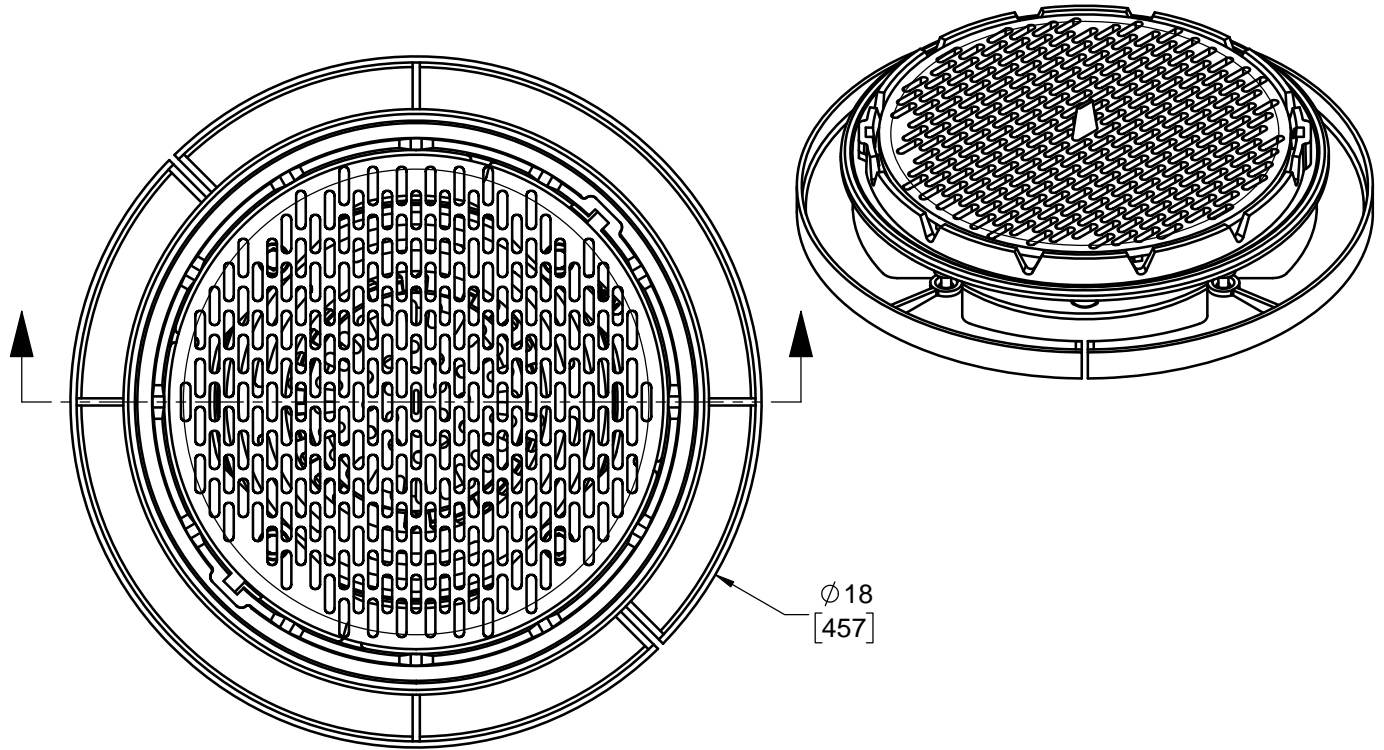


SPECIFICATION:

JOSAM 21500-Q244 SERIES COATED CAST IRON PLAZA DRAIN WITH ROUND TOP, REMOVABLE SHALLOW BUCKET, LIGHT DUTY LOOSE SET GRATE, WEJLOC CLAMP RING, LARGE SUMP BODY AND BOTTOM OUTLET.

PAVER/PLAZA DRAIN

SERIES **21500-Q244**



** CONFORMS WITH ASTM-C564

TYPE	PIPE SIZE
21502-Q244	2
21503-Q244	3
21504-Q244	4
21505-Q244	5
21506-Q244	6
21507-Q244	8

WARNING: Cancer and Reproductive Harm - www.P65Warnings.ca.gov

DATE OF LAST CHANGE: 6/15/18

DIMENSIONS ARE SUBJECT TO MANUFACTURERS TOLERANCES AND CHANGE WITHOUT NOTICE. WE CAN ASSUME NO RESPONSIBILITY FOR USE OF SUPERSEDED OR VOID DATA.

JOSAM

MICHIGAN CITY, INDIANA

NOTES