

SPECIFICATION:

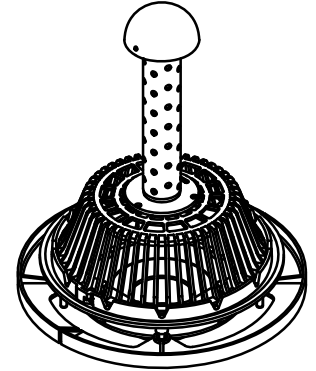
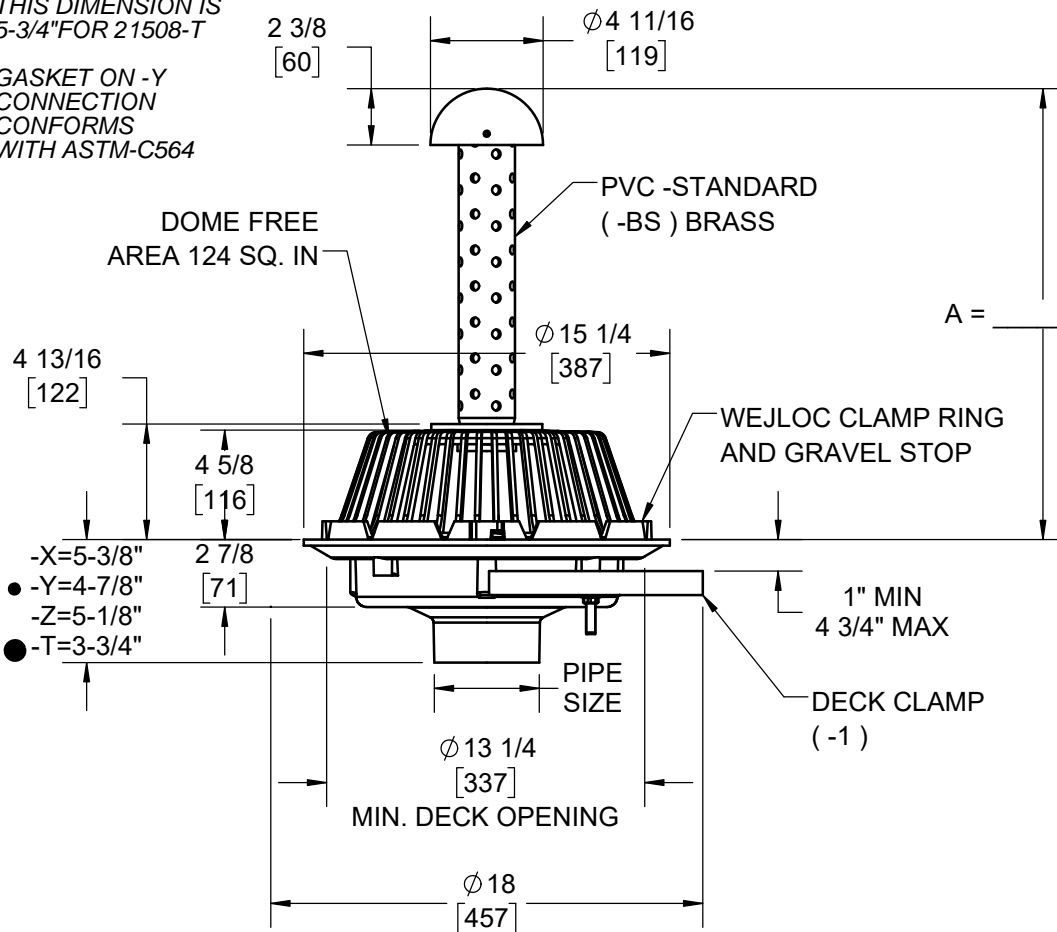
JOSAM 21500-Q261 COATED CAT IRON ROOF DRAIN
 NON-PUNCTURING WEJLOC® CLAMP RING WITH INTEGRAL GRAVEL
 STOP, LARGE SUMP WITH WIDE ROOF FLANGE AND BOTTOM
 OUTLET, LARGE DOME WITH PERFORATED STANDPIPE, SECURED
 DOME STRAINER AND CAST BRONZE DOME

**ROOF DRAIN
 LARGE SUMP**

SERIES **21500-Q261**

● THIS DIMENSION IS
 5-3/4" FOR 21508-T

● GASKET ON -Y
 CONNECTION
 CONFORMS
 WITH ASTM-C564



NOTE:
 "A" DIM - MUST BE FILLED IN

▼ SEPARATE SUBMITTAL FOR THIS OPTION AVAILABLE

△ -16 & -17 CANNOT BE
 FURNISHED TOGETHER

	2"	PIPE SIZE			-2	DRAIN RECEIVER
	3"	PIPE SIZE			-3	DECK CLAMP ASY. AND DRAIN RECEIVER
	4"	PIPE SIZE			-3C	DRAIN RECEIVER AND DRAIN RECEIVER CLIPS
	5"	PIPE SIZE			-4	SECONDARY FLASHING CLAMP (-AE ONLY)
	6"	PIPE SIZE	▼		-6	EXTRA WIDE FLANGE DRAIN BODY (2"-6", -X OUTLET ONLY)
	8"	PIPE SIZE			-10	FIXED EXT. COLLAR, CAST IRON (SPECIFY HT. 4" STANDARD)
	10"	PIPE SIZE (NO-HUB ONLY)			-10-20	FIXED EXT. COLLAR, GALV. (SPECIFY HT. 4" STANDARD)
			▼	△	-16	INTERNAL WATERGUARD (2" THRU 6" OUTLETS ONLY)
	-X	INSIDE CAULK OUTLET				
	-Y	HUB OUTLET W/GASKET (2", 3" & 4" SIZES ONLY)			-16GLV△	INTERNAL WATERGUARD GALVANIZED STEEL (2"-6" OUTLETS ONLY)
	-Z	NO-HUB SPIGOT OUTLET	▼	△	-17	2" HIGH SOLID CLAMPING COLLAR
	-T	THREADED OUTLET			-19	CLAMP COLLAR W/PERFORATED STAINLESS GRAVEL GUARD
					-20	GALV. CAST IRON PARTS
▼	-AE	THREADED LEVELZE [®] ADJ. EXT.			-22	CAST IRON DOME
▼	-AER	ADJ. EXT. USING THREADED RODS			-22 -21	GALV. CAST IRON DOME ONLY
▼	-IRMA	PERFORATED STAINLESS STEEL EXT.			-BS	BRASS STAND PIPE
	-CR	CLAMPING DRAIN RECEIVER (MIN. DECK OPENING 16")			-26	ALUMINUM DOME
	-1	DECK CLAMP ASY.			-33	STAINLESS STEEL MESH-COVERED DOME
	-1C	DRAIN RECEIVER CLIPS (MIN. DECK OPENING Ø16")			-66	NO-HUB SIDE OUTLET (2" THRU 6" OUTLETS ONLY)

DATE OF LAST CHANGE: 06/16/20

DIMENSIONS ARE SUBJECT TO MANUFACTURERS
 TOLERANCES AND CHANGE WITHOUT NOTICE.
 WE CAN ASSUME NO RESPONSIBILITY FOR
 USE OF SUPERSEDED OR VOID DATA.

JOSAM
 MICHIGAN CITY, INDIANA

NOTES