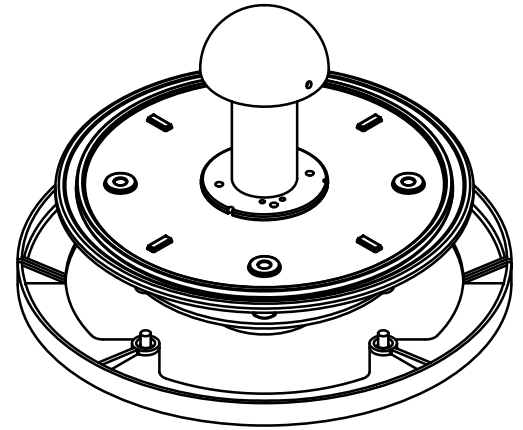
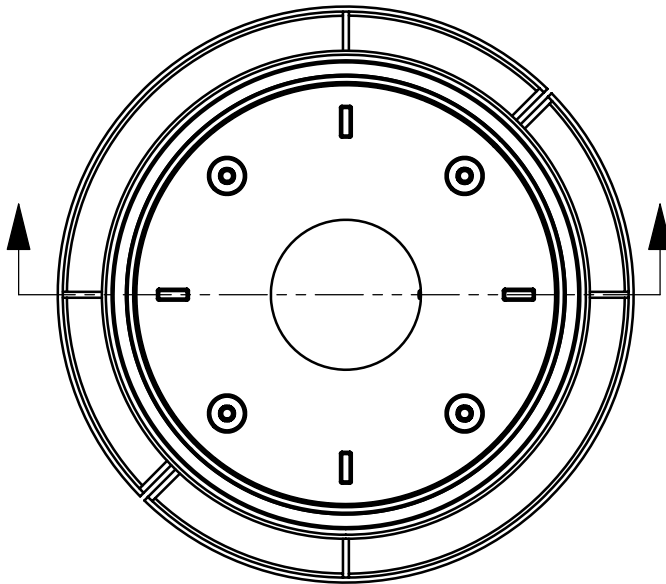


SPECIFICATION:

JOSAM 21500-Q515 SERIES CAST IRON DRAIN WITH BOTTOM OUTLET, WEJLOC NON-PUNCTURING CLAMP RING, PVC STANDPIPE, AND BRASS DOME.

**DRAIN
WITH STANDPIPE**

SERIES **21500-Q515**

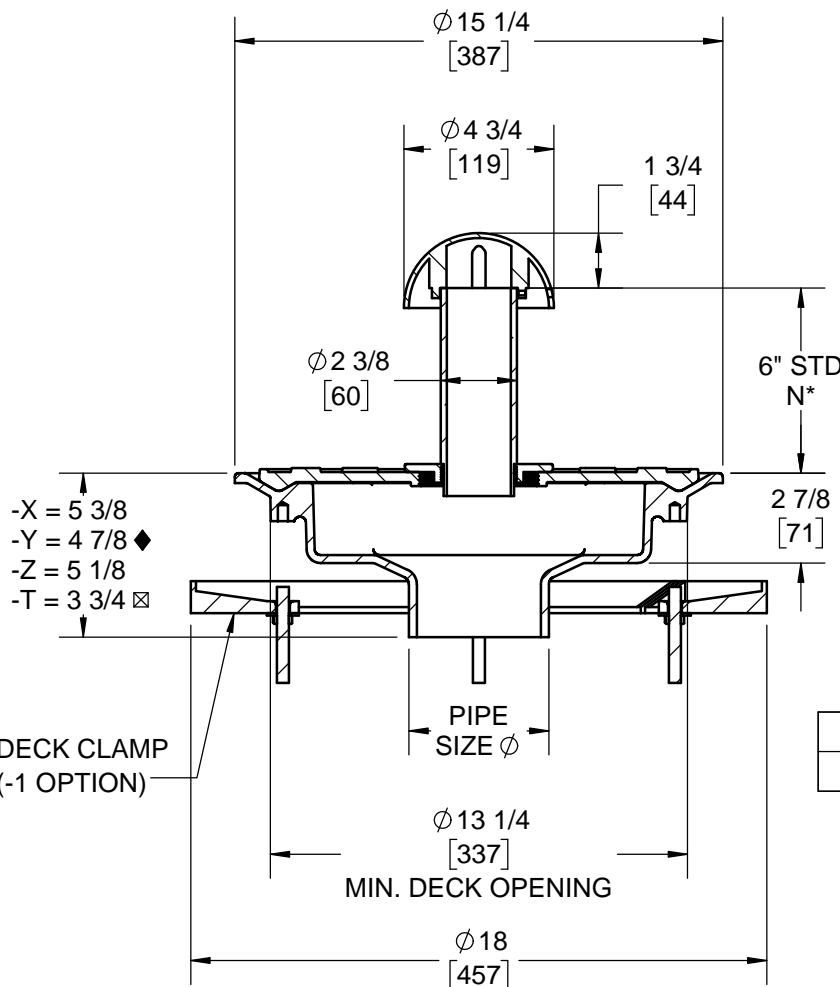


OUTLET TYPE

-X	INSIDE CAULK
-Y	HUB WITH GASKET (2"-4")
-Z	NO-HUB
-T	THREADED

PIPE SIZE

2"
3"
4"
5"
6"
8"
10"



DECK CLAMP
(-1 OPTION)

PIPE
SIZE ϕ

ϕ 13 1/4
[337]
MIN. DECK OPENING

ϕ 18
[457]

-24	LESS DOME
-PF	PERFORATED STANDPIPE

* SPECIFY "N" AT TIME OF ORDER

◆ GASKET CONFORMS WITH ASTM-C564
 ☒ THIS DIM. 5 3/4" FOR 21508-T
 SEE 21500 DRAWING FOR MORE BODY DIMS.

WARNING: Cancer and Reproductive Harm - www.P65Warnings.ca.gov

DATE OF LAST CHANGE: 10/08/19

DIMENSIONS ARE SUBJECT TO MANUFACTURERS TOLERANCES AND CHANGE WITHOUT NOTICE. WE CAN ASSUME NO RESPONSIBILITY FOR USE OF SUPERSEDED OR VOID DATA.

JOSAM
MICHIGAN CITY, INDIANA

NOTES