

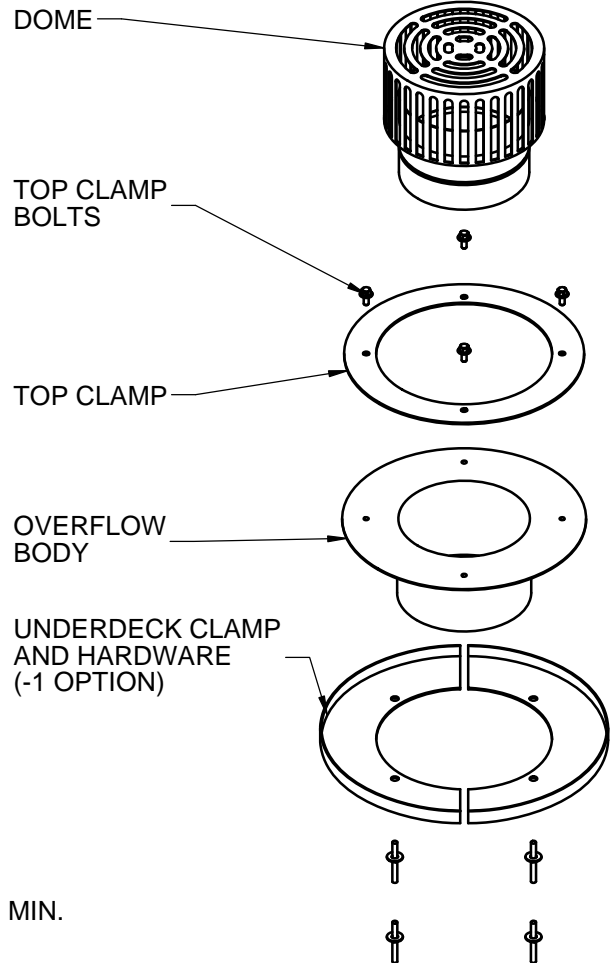
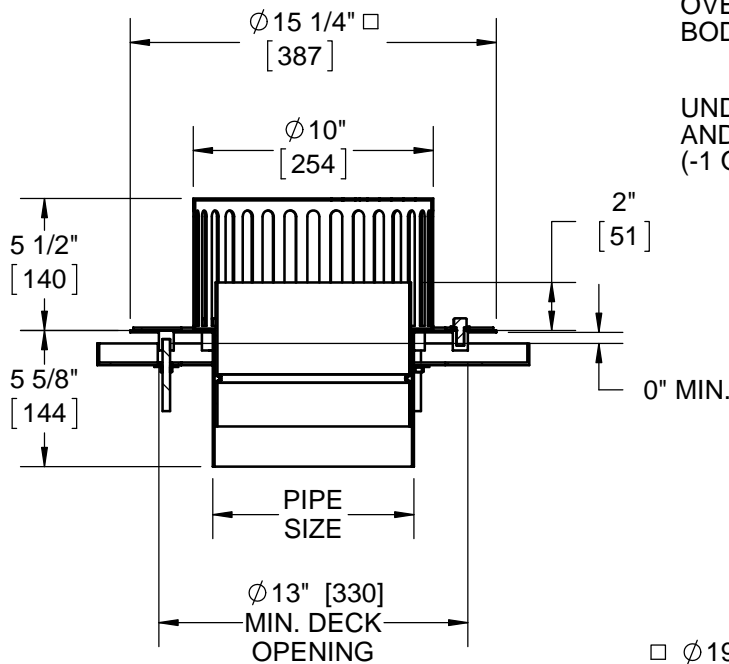
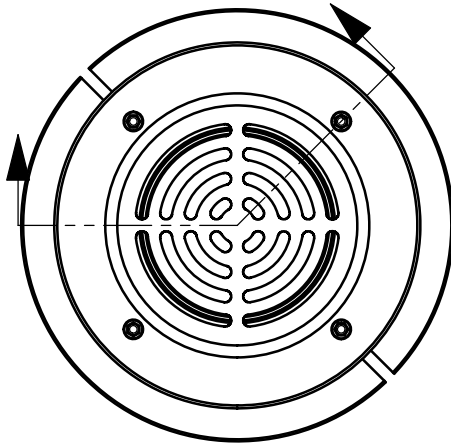
SPECIFICATION:

JOSAM SERIES 21500-SS-SS STAINLESS STEEL (TYPE 304)
OVERFLOW ROOF DRAIN WITH NO-HUB BOTTOM OUTLET.

**ROOF DRAIN
STAINLESS STEEL,
OVERFLOW**

SERIES **21500-SS-16**

DOME FREE AREA: 103 SQ. IN.
DOME SLOT WIDTH: 1/2"



OPTIONS:

PIPE SIZE
2"
3"
4"
6"
8"

-1	UNDERDECK CLAMP
-2	DRAIN RECEIVER
-6	WIDE FLANGE
-VP	SECURED DOME
-BW	BUTT-WELD OUTLET (SPEC. 5S, 10S, 40S)
-PF	OUTLET FOR JOSAM PUSH-FIT SYSTEM
-316	TYPE 316L MATERIAL

DATE OF LAST CHANGE: 10/02/15

DIMENSIONS ARE SUBJECT TO MANUFACTURERS TOLERANCES AND CHANGE WITHOUT NOTICE. WE CAN ASSUME NO RESPONSIBILITY FOR USE OF SUPERSEDED OR VOID DATA.

JOSAM COMPANY
MICHIGAN CITY, INDIANA

NOTES