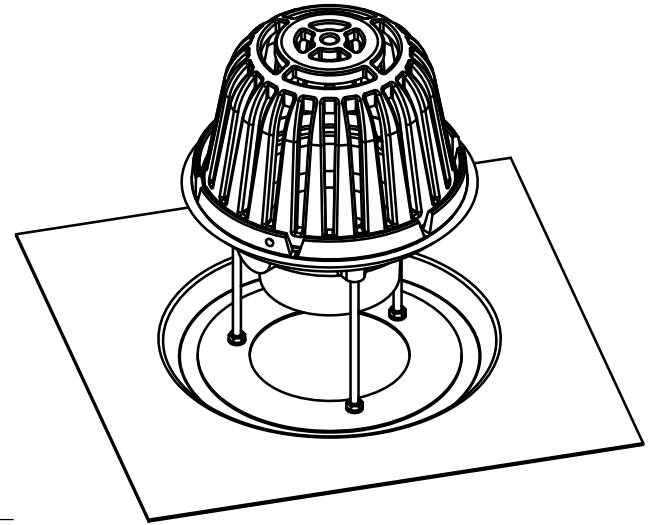
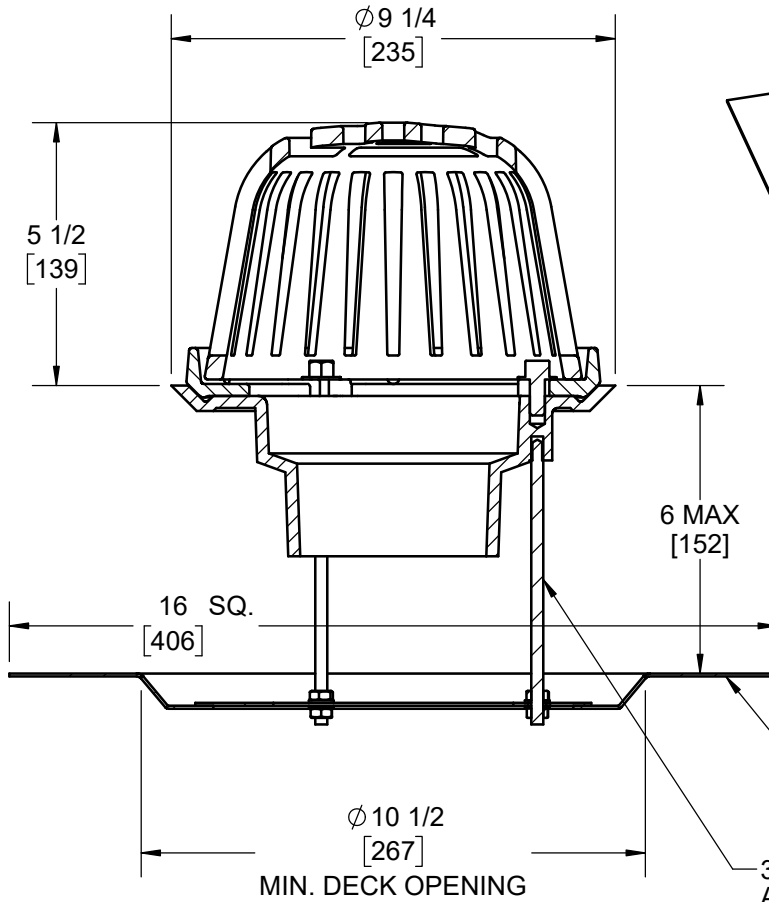


**SPECIFICATION:**

JOSAM 22080-AER SERIES COATED CAST IRON ROOF DRAIN, BEEHIVE DOME, WEJLOC® NON-PUNCTURING CLAMP RING WITH INTEGRAL GRAVEL STOP, SMALL SUMP WITH ADJUSTABLE EXTENSION RODS AND BOTTOM OUTLET.

**ROOF DRAIN**  
**SMALL SUMP, HIGH DOME**  
**WITH ADJ. EXTENSION RODS**

SERIES **22080-AER**



GALVANIZED STEEL  
DRAIN RECEIVER

3 SETS THREADED ROD  
AND HARDWARE

MIN. DECK OPENING  
 $\phi$  10 1/2  
 [267]

\*\* -10 EXTENSION 1" STANDARD

				-10	FIXED EXT. COLLAR, CAST IRON ( SPECIFY HEIGHT ** )
	2"	PIPE SIZE		-10-20	FIXED EXT. COLLAR, GALVANIZED ( SPECIFY HEIGHT ** )
	3"	PIPE SIZE		-17	2" HIGH SOLID CLAMPING COLLAR
	4"	PIPE SIZE		-20	GALVANIZED CAST IRON PARTS
				-21	GALVANIZED CAST IRON DOME ONLY
	-X	INSIDE CAULK OUTLET		-23	ROUGH BRONZE DOME
	-Y	HUB OUTLET WITH GASKET		-VP	SECURED DOME
	-Z	NO-HUB SPIGOT OUTLET			
	-T	THREADED OUTLET		-26	ALUMINUM DOME

WARNING: Cancer and Reproductive Harm - www.P65Warnings.ca.gov

DATE OF LAST CHANGE: 05/08/19

DIMENSIONS ARE SUBJECT TO MANUFACTURERS TOLERANCES AND CHANGE WITHOUT NOTICE. WE CAN ASSUME NO RESPONSIBILITY FOR USE OF SUPERSEDED OR VOID DATA.



MICHIGAN CITY, INDIANA

NOTES