

**SPECIFICATION:**

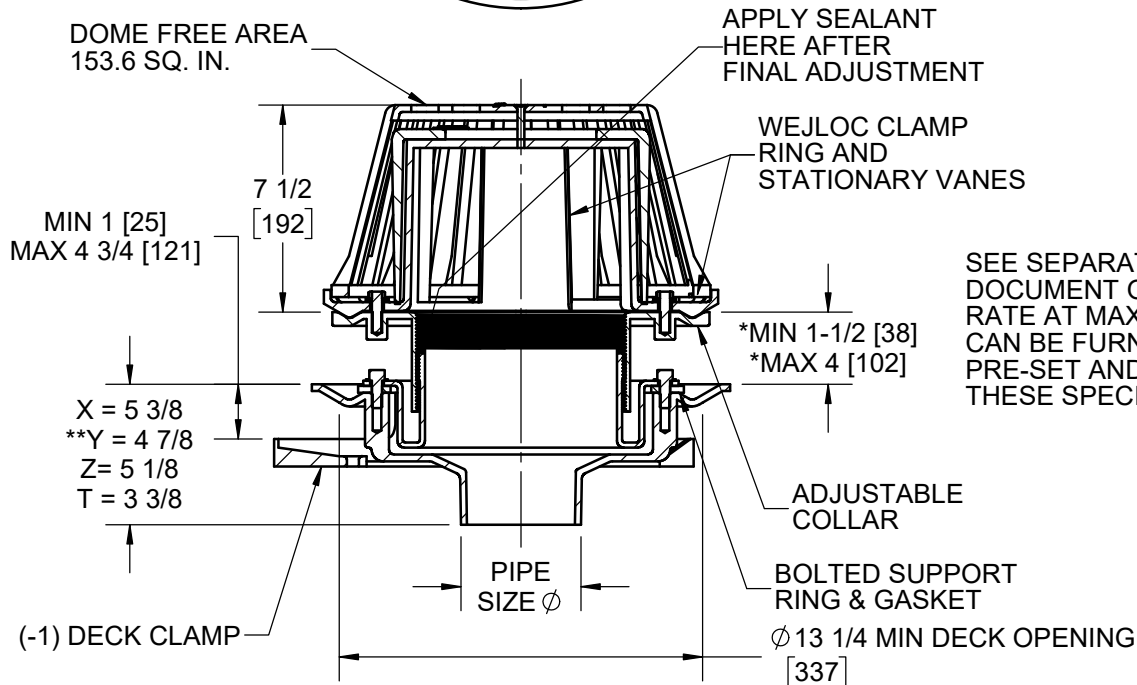
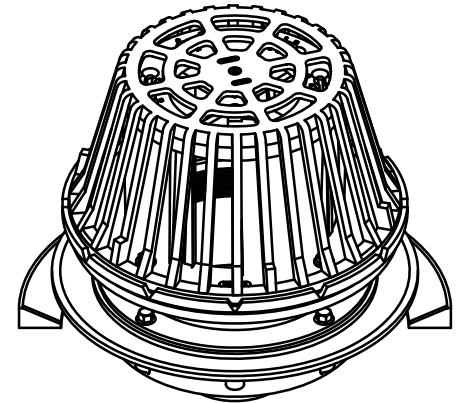
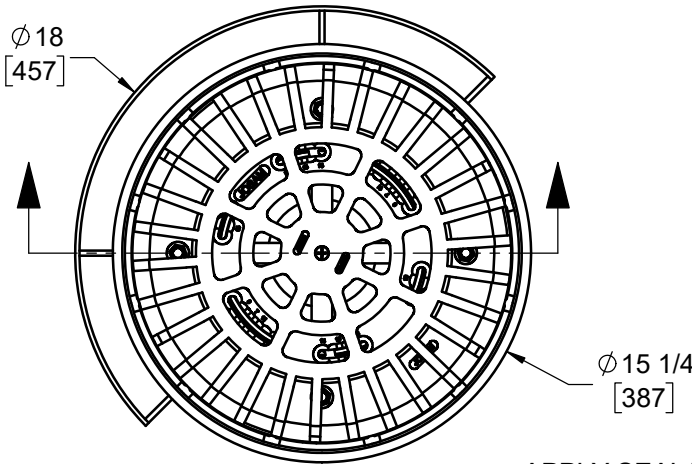
JOSAM 28600-AE SERIES COATED CAST IRON FLO-SET ROOF DRAIN, LARGE SECURED DOME, ADJUSTABLE CALIBRATED VANDAL-PROOF VANE COLLAR, WEJLOC NON-PUNCTURING CLAMP RING WITH STATIONARY VANES AND INTEGRAL GRAVEL STOP, BOLTED SUPPORT RING, ADJUSTABLE TOP, LARGE SUMP WITH ROOF FLANGE AND BOTTOM OUTLET.

**ROOF DRAIN**

FLO-SET WITH ADJUSTABLE EXTENSION

SERIES **28600-AE**

FORMERLY 28500 SERIES



SEE SEPARATE VANE SETTINGS DOCUMENT OR SPECIFY DESIRED FLOW RATE AT MAX. HEAD HEIGHT AND DRAIN CAN BE FURNISHED WITH THE VANES PRE-SET AND VANDAL-PROOFED TO THESE SPECIFICATIONS.

\*\* GASKET ON -Y CONNECTION CONFORMS WITH ASTM-C564

\* WITH (-4) CLAMP RING MIN 2-1/4" MAX 4-1/4"

X	-AE	THREADED LEVELIZE ADJ. EXT.
	-CR	CLAMPING DRAIN RECEIVER (MIN. DECK OPENING Ø 16")
	-1	DECK CLAMP ASSEMBLY
	-2	DRAIN RECEIVER
	-3	DECK CLAMP ASSEMBLY AND DRAIN RECEIVER
	-4	SECONDARY FLASHING CLAMP (-AE ONLY)
	-10	FIXED EXTENSION COLLAR, CAST IRON (SPECIFY HEIGHT***)
	-10-20	FIXED EXTENSION COLLAR, GALVANIZED (SPECIFY HEIGHT***)
	-20	GALVANIZED CAST IRON PARTS
	-VP	VANDAL-PROOF DOME
	-66	NO-HUB SIDE OUTLET (2" THRU 6" OUTLETS ONLY)
	-T	THREADED OUTLET
	-X	INSIDE CAULK OUTLET
	-Y	HUB OUTLET W/ GASKET (2", 3" & 4" SIZES ONLY)
	-Z	NO-HUB SPIGOT OUTLET

\*\*\* -10 EXTENSION 4" STANDARD

PIPE SIZE	
	2"
	3"
	4"
	5"
	6"

WARNING: Cancer and Reproductive Harm - www.P65Warnings.ca.gov

DATE OF LAST CHANGE: 08/21/18

DIMENSIONS ARE SUBJECT TO MANUFACTURERS TOLERANCES AND CHANGE WITHOUT NOTICE. WE CAN ASSUME NO RESPONSIBILITY FOR USE OF SUPERSEDED OR VOID DATA.



NOTES