

SPECIFICATION:

JOSAM 029704 CAST IRON DECK CLAMP HALF, WITH GREEN PAINT COATING FOR CORROSION RESISTANCE, (2) DECK CLAMP HALVES PER DRAIN BODY AT APPLICATION.

ROOF DRAIN

DECK CLAMP HALF

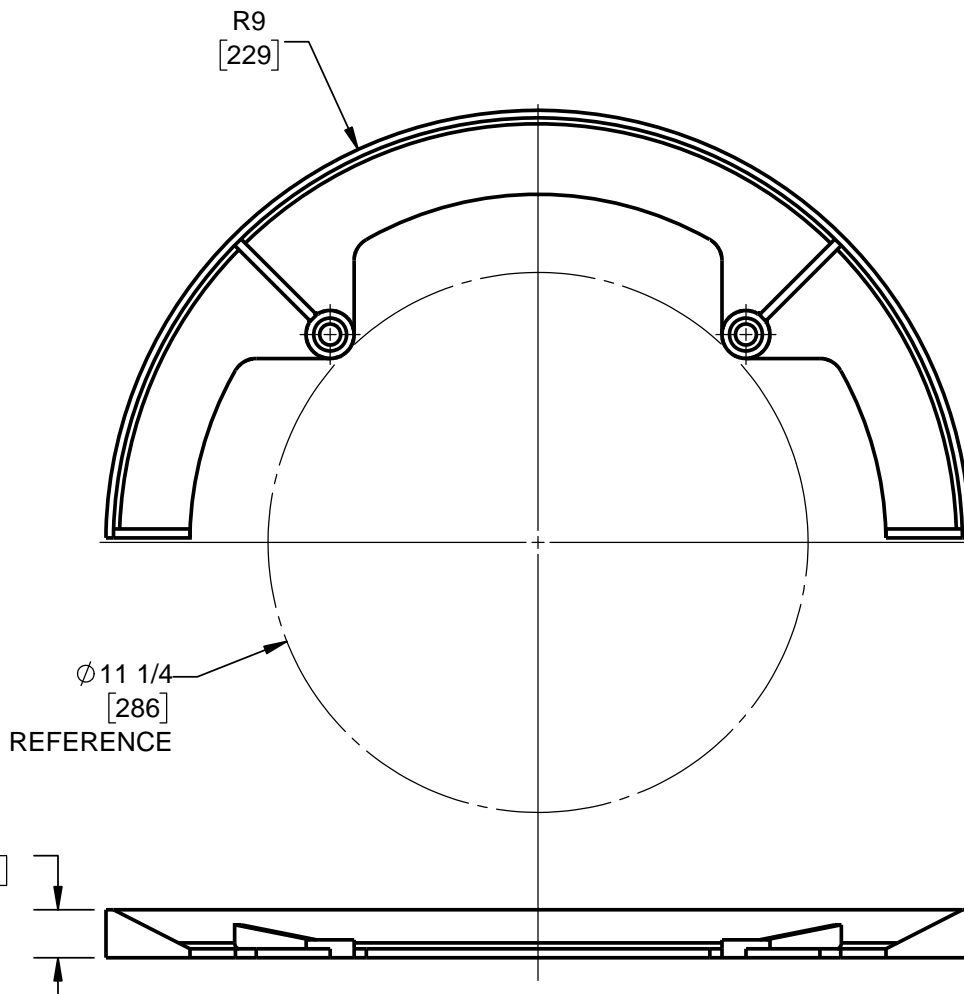
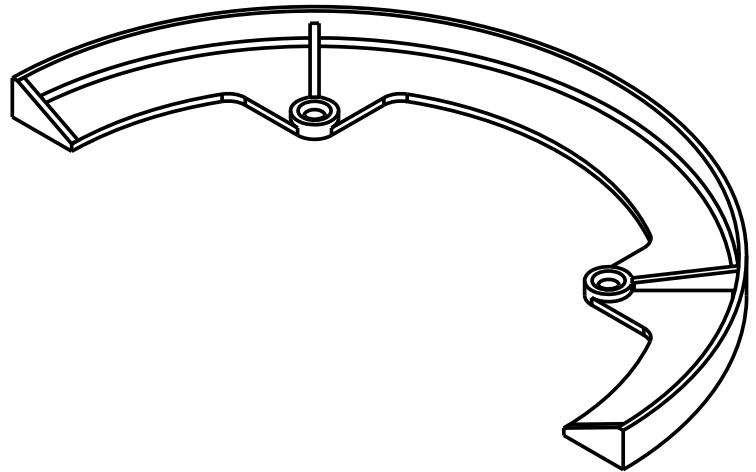
SERIES

029704

USED ON 21500, 28600, & OTHER MODEL SERIES.

SEE COMPLETE ROOF DRAIN MODEL SUBMITTALS FOR INSTALLED DIMENSIONS.

HARDWARE TO SECURE TO DRAIN BODY NOT SHOWN.



WARNING: Cancer and Reproductive Harm - www.P65Warnings.ca.gov

DATE OF LAST CHANGE: 6/29/18

DIMENSIONS ARE SUBJECT TO MANUFACTURERS TOLERANCES AND CHANGE WITHOUT NOTICE. WE CAN ASSUME NO RESPONSIBILITY FOR USE OF SUPERSEDED OR VOID DATA.



MICHIGAN CITY, INDIANA

NOTES