

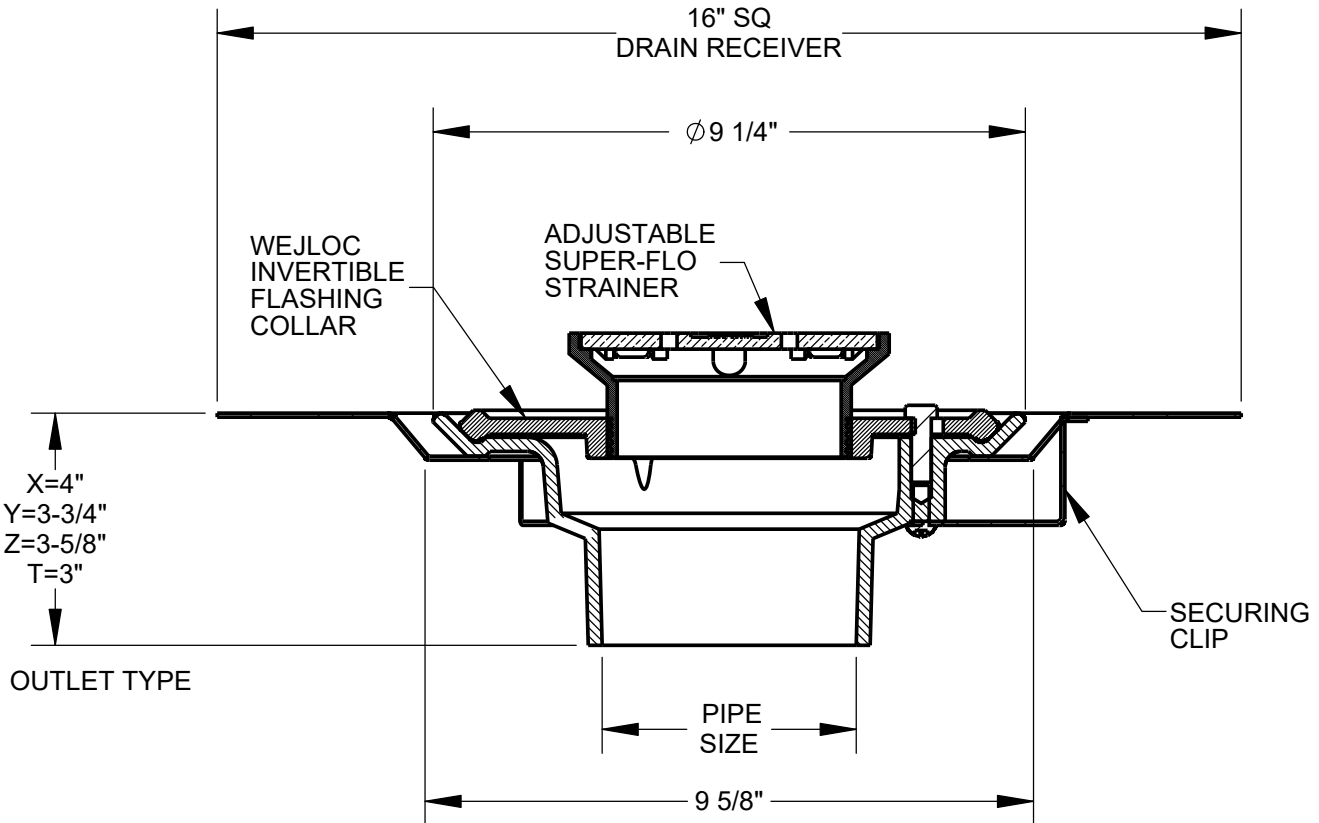
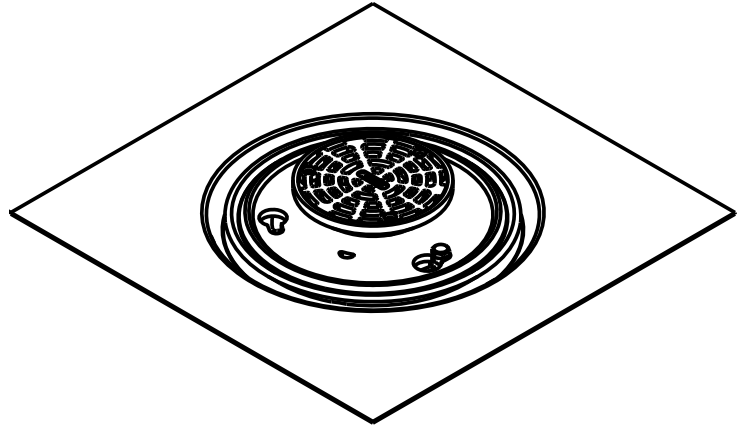
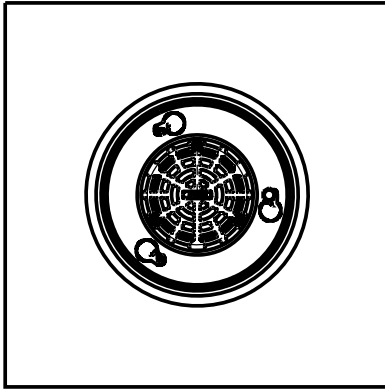
SPECIFICATION:

JOSAM 30000-A-3C SERIES CAST IRON FLOOR DRAIN, TWO-PIECE BODY WITH DOUBLE DRAINAGE FLANGE AND 1/2" PRIMER TAP, WEJLOC INVERTIBLE FLASHING COLLAR, WEEPHOLES, BOTTOM OUTLET CONNECTION, ADJUSTABLE ROUND SUPER-FLO STRAINER, DRAIN RECEIVER, AND SECURING CLIPS.

FLOOR DRAIN
WITH DRAIN RECEIVER AND
SECURING CLIPS

SERIES **30000-A-3C**

SLOT WIDTH 1/4"
MEETS ADA AND HEEL PROOF



SEE 30000-A SUBMITTAL FOR ALL DRAIN OPTIONS

WARNING: Cancer and Reproductive Harm - www.P65Warnings.ca.gov

DATE OF LAST CHANGE: 03/29/19

DIMENSIONS ARE SUBJECT TO MANUFACTURERS TOLERANCES AND CHANGE WITHOUT NOTICE. WE CAN ASSUME NO RESPONSIBILITY FOR USE OF SUPERSEDED OR VOID DATA.

JOSAM
MICHIGAN CITY, INDIANA

NOTES