

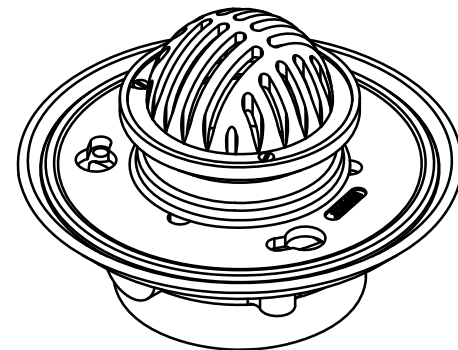
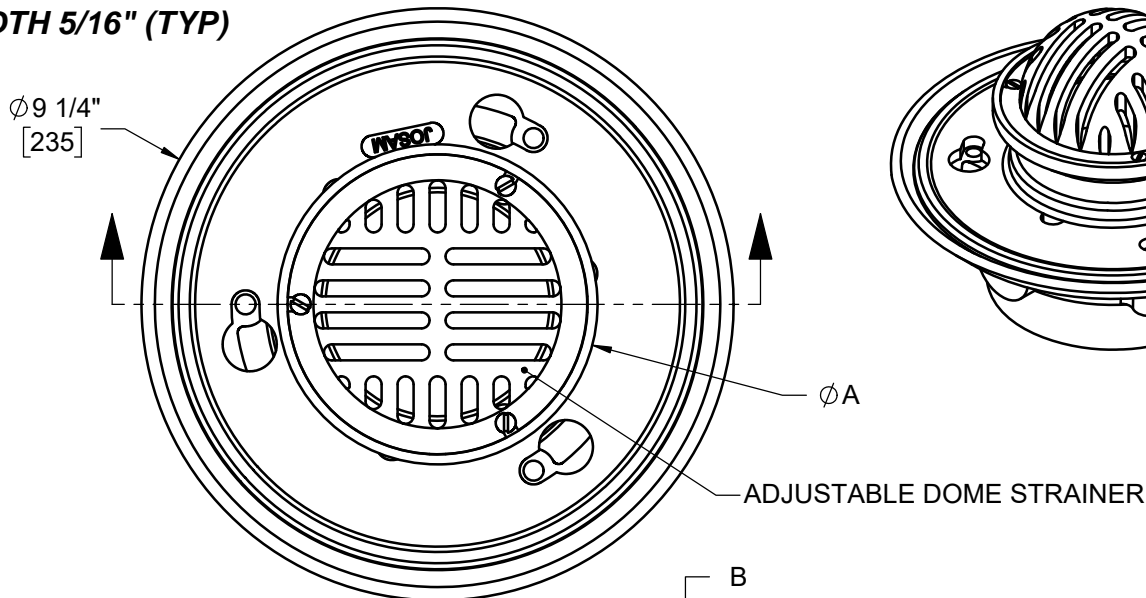
**SPECIFICATION:**

JOSAM SERIES 30000-D CAST IRON FLOOR DRAIN, TWO-PIECE BODY WITH DOUBLE DRAINAGE FLANGE AND 1/2" PRIMER TAP, WEJLOC® INVERTIBLE FLASHING COLLAR, WEEPHOLES, BOTTOM OUTLET CONNECTION AND NIKALOY ADJUSTABLE DOME STRAINER.

**FLOOR DRAIN  
ADJUSTABLE FLOOR DRAIN**

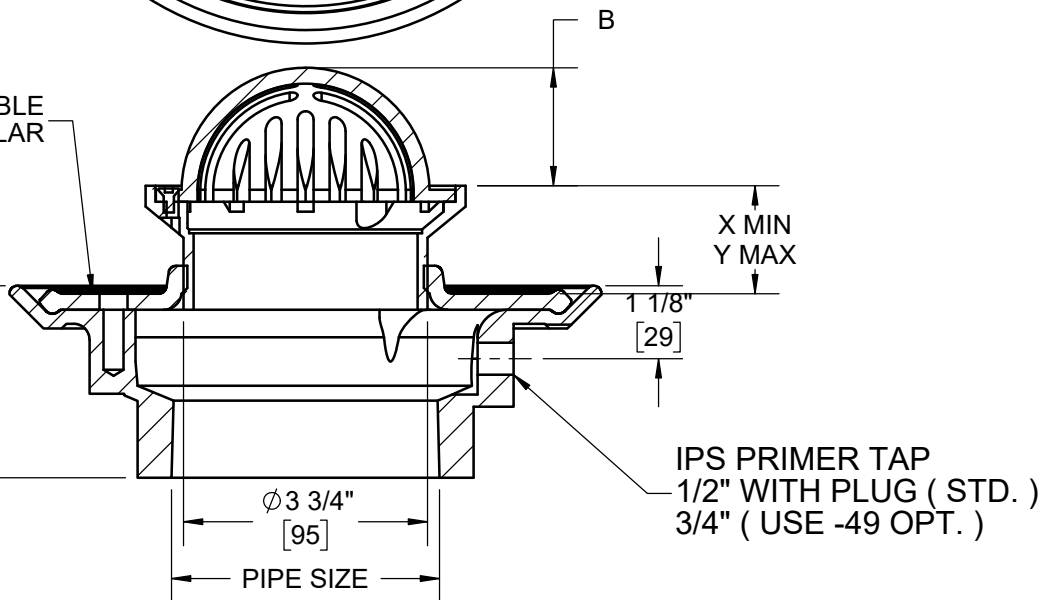
SERIES **30000-D**

**SLOT WIDTH 5/16" (TYP)**



WEJLOC INVERTIBLE FLASHING COLLAR

X = 4"  
\*Y = 3-3/4"  
Z = 3-5/8"  
T = 3"



IPS PRIMER TAP  
1/2" WITH PLUG ( STD. )  
3/4" ( USE -49 OPT. )

	STRAINER	A	B	X	Y	FREE AREA
	-5D	5	1-7/8	3/4	2-1/8	8.1
	-6D	6	1-3/4	1-1/4	2-3/8	8.1

\*GASKET ON -Y CONNECTION CONFORMS WITH ASTM-C564

2"	PIPE SIZE	-92	GALVANIZED CAST IRON PARTS
3"	PIPE SIZE	-2	BRONZE ADJUSTABLE STRAINER
4"	PIPE SIZE	-80	PERFORATED STAINLESS STEEL BASKET
		-CP	CHROME PLATED STRAINER
-TSO	THREADED SIDE OUTLET	-J	BACKWATER VALVE
-WT	WITH TRAP	-VP	SECURED GRATE, VANDAL-PROOF SCREWS
-PD	PRISON DRAIN	-T	THREADED OUTLET
-ARE	ACID-RESISTING EPOXY	-X	INSIDE CAULK OUTLET
-49	3/4" PRIMER TAP	-Y	HUB OUTLET WITH GASKET*
-91	ROUGH BRONZE BODY	-Z	NO-HUB SPIGOT OUTLET

DATE OF LAST CHANGE: 07/24/18

DIMENSIONS ARE SUBJECT TO MANUFACTURERS TOLERANCES AND CHANGE WITHOUT NOTICE. WE CAN ASSUME NO RESPONSIBILITY FOR USE OF SUPERSEDED OR VOID DATA.

**JOSAM**

MICHIGAN CITY, INDIANA

NOTES