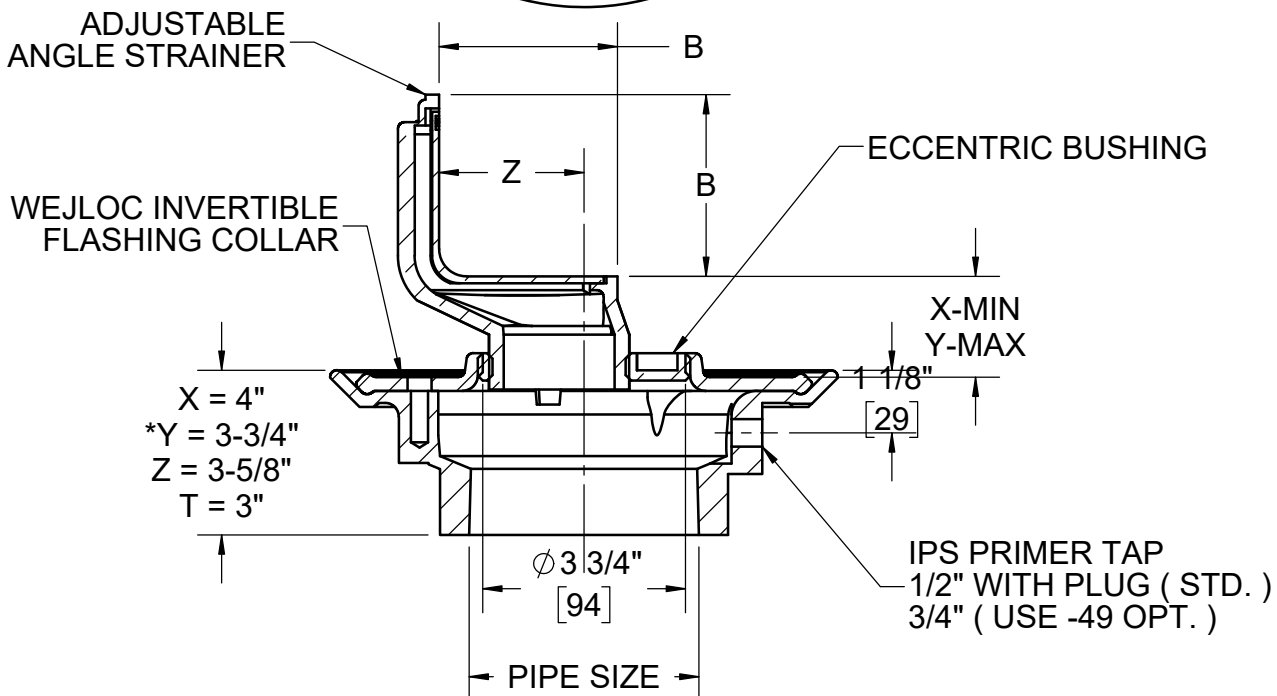
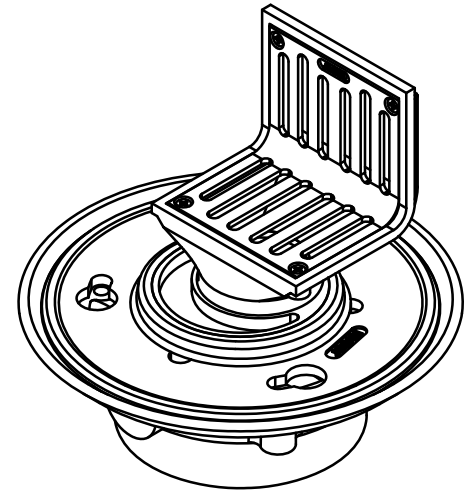
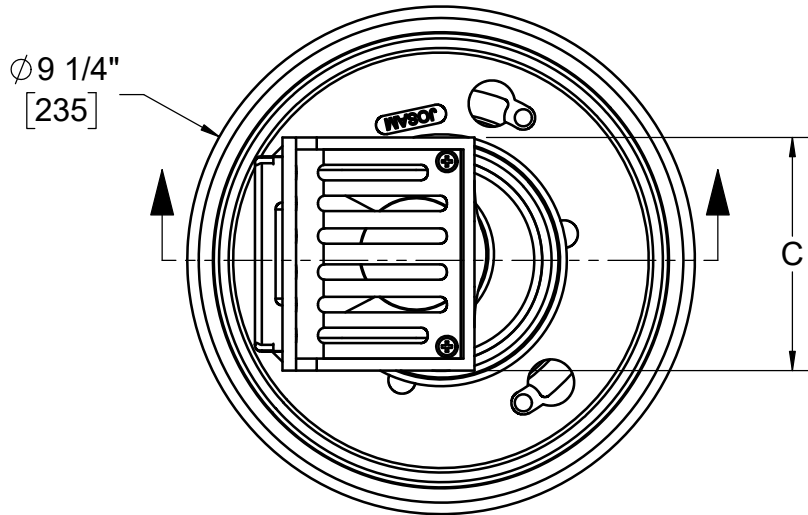


**SPECIFICATION:**

JOSAM SERIES 30000-P CAST IRON FLOOR DRAIN, TWO-PIECE BODY WITH DOUBLE DRAINAGE FLANGE AND 1/2" PRIMER TAP, WEJLOC® INVERTIBLE FLASHING COLLAR, WEEPHOLES, BOTTOM OUTLET CONNECTION AND NIKALOY ADJUSTABLE ANGLE STRAINER.

**FLOOR DRAIN  
ADJUSTABLE FLOOR DRAIN**

SERIES **30000-P**



	STRAINER	B	C	X	Y	Z	FREE AREA
	-4P	3-1/4	4-1/4	7/8	1-3/4	1-3/4	8.9
	-6P	6-1/8	6-1/4	1-5/8	3-7/8	3-1/8	18.7

\*GASKET ON -Y CONNECTION CONFORMS WITH ASTM-C564

	2"	PIPE SIZE			-92	GALVANIZED CAST IRON PARTS
	3"	PIPE SIZE			-2	BRONZE ADJUSTABLE STRAINER
	4"	PIPE SIZE			-80	PERFORATED STAINLESS STEEL BASKET
	-TSO	THREADED SIDE OUTLET			-VP	SECURED GRATE, VANDAL-PROOF SCREWS
	-ST	WITH SHALLOW TRAP (2" AND 3" ONLY)				
	-PD	PRISON DRAIN (2" AND 3" ONLY)			-T	THREADED OUTLET
	-ARE	ACID-RESISTING EPOXY			-X	INSIDE CAULK OUTLET
	-49	3/4" PRIMER TAP			-Y	HUB OUTLET WITH GASKET*
	-91	ROUGH BRONZE BODY			-Z	NO-HUB SPIGOT OUTLET

DATE OF LAST CHANGE: 07/24/18

DIMENSIONS ARE SUBJECT TO MANUFACTURERS TOLERANCES AND CHANGE WITHOUT NOTICE. WE CAN ASSUME NO RESPONSIBILITY FOR USE OF SUPERSEDED OR VOID DATA.

**JOSAM**

MICHIGAN CITY, INDIANA

NOTES