

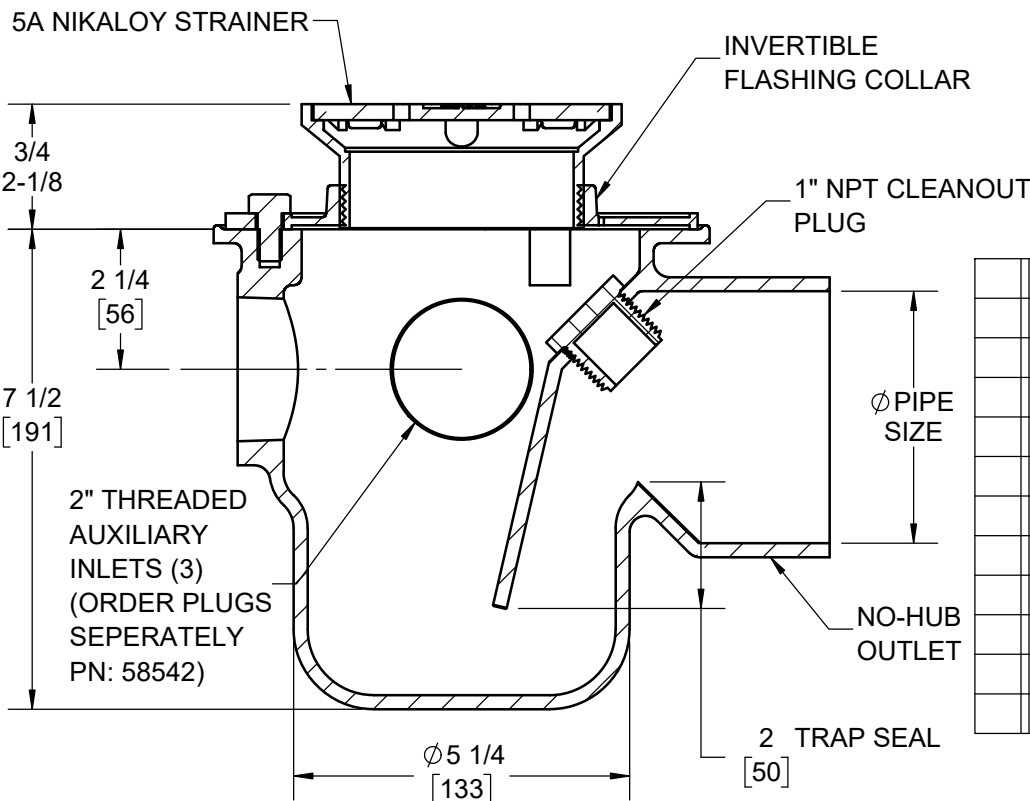
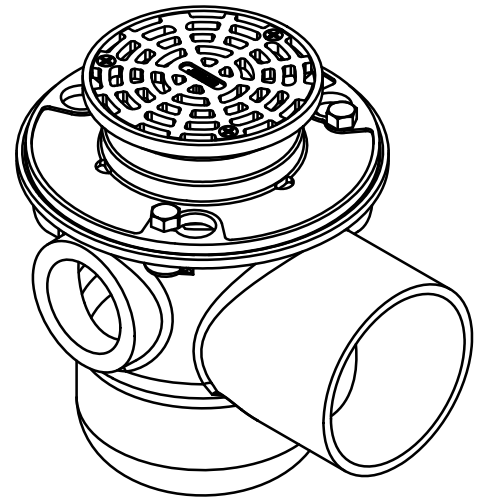
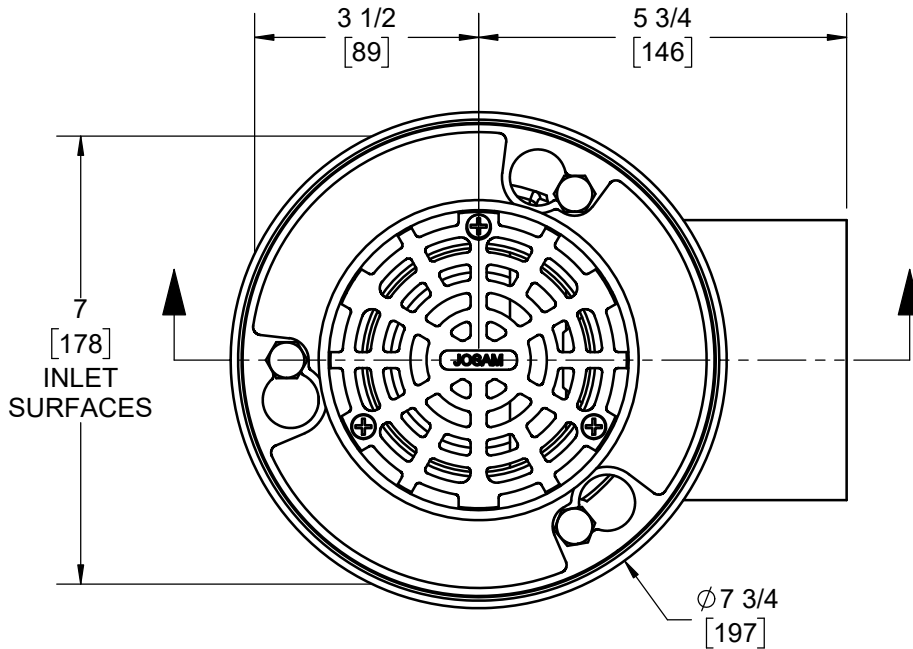
SPECIFICATION:

JOSAM 31300 SERIES COATED CAST IRON FLOOR DRAIN WITH INTEGRAL TRAP SEAL AND (3) 2" THREADED AUXILIARY INLETS, INVERTIBLE FLASHING COLLAR THREADED FOR 5" ROUND NIKALOY STRAINER, INTERNAL CLEANOUT AND SIDE OUTLET 2", 3" OR 4" NO-HUB CONNECTION.

**FLOOR DRAIN
INTEGRAL TRAP**

SERIES **31300**

PREVIOUSLY 500200 SERIES



	PIPE SIZE
	2"
	3"
	4"

	-2	SATIN FINISH BRONZE STR
	-80	PERFORATED SS BASKET
	-92	GALVANIZED CAST IRON
	-5S	5" SQUARE STRAINER
	-6A	6" ROUND STRAINER
	-6S	6" SQUARE STRAINER
	-ARE	ACID RESISTANT EPOXY BODY & C.R.
	-CP	CHROME PLATED STRAINER
	-J	BACKWATER VALVE
	-SS	STAINLESS STEEL STRAINER
	-VP	VANDAL PROOF STRAINER
	-TSI	TRAP SEAL INSERT

WARNING: Cancer and Reproductive Harm - www.P65Warnings.ca.gov

DATE OF LAST CHANGE: 03/12/19

DIMENSIONS ARE SUBJECT TO MANUFACTURERS TOLERANCES AND CHANGE WITHOUT NOTICE. WE CAN ASSUME NO RESPONSIBILITY FOR USE OF SUPERSEDED OR VOID DATA.

JOSAM

MICHIGAN CITY, INDIANA

NOTES