

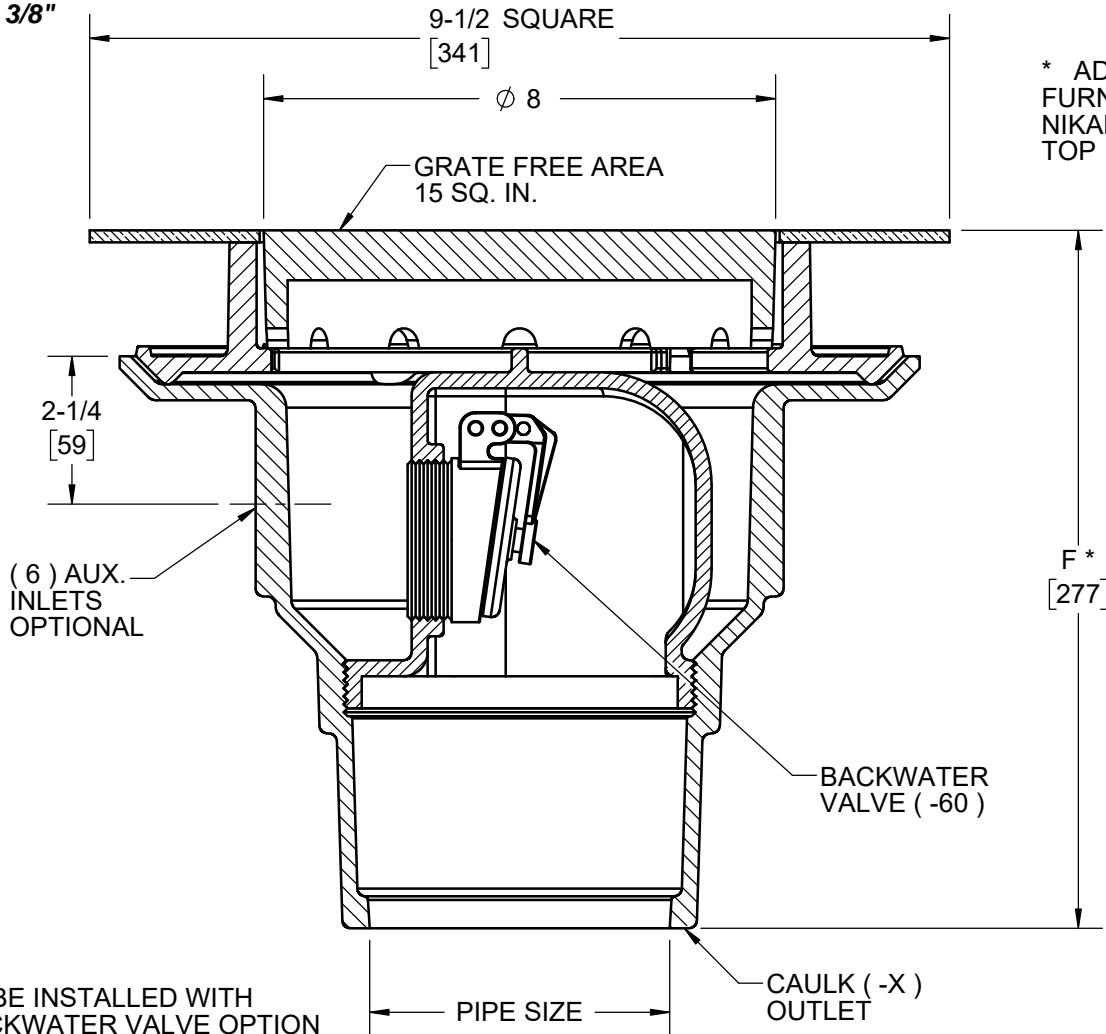
SPECIFICATION:

JOSAM 32160-12 SERIES COATED CAST IRON FLOOR DRAIN WITH DOUBLE DRAINAGE FLANGE, WEEP-HOLES, BOTTOM OUTLET, INSIDE CAULK CONNECTION, SQUARE TOP AND HEAVY-DUTY LOOSE-SET TRACTOR GRATE.

**FLOOR DRAIN
SQUARE TRACTOR TOP**

SERIES **32160-12**

SLOT WIDTH 3/8"



* ADD 1/4" WHEN FURNISHED WITH NIKALOY OR BRONZE TOP

▲ CANNOT BE INSTALLED WITH (-60) BACKWATER VALVE OPTION

PIPE SIZE

CAULK (-X) OUTLET

	3"	PIPE SIZE ("F" DIM. = 10-7/8")		-54-92	2" AUXILIARY SPIGOT INLET, GALVANIZED	
	4"	PIPE SIZE ("F" DIM. = 11-1/4")		-60	BACKWATER VALVE	
				-62	"T"-HANDLE BRONZE CLOSURE PLUG	▲
	-7	DUCTILE IRON GRATE		-66	NO-HUB SIDE OUTLET	
X	-12	SQUARE TOP, CAST IRON		-71	SOLID CAST IRON BUCKET	▲
	-15	CHAINED GRATE		-81	SLOTTED CAST IRON BUCKET	▲
	-19	CAST IRON UNDERGRATE W/SATIN FINISH NIKALOY TOP		-88	SUPPLEMENTARY STRAINER	▲
	-44	FIXED EXTENSION COLLAR (3" STD. OR SPECIFY HEIGHT)		-92	GALVANIZED CAST IRON PARTS	
	-49	3/4" PRIMER TAP				
	-50	1/2" PRIMER TAP		-ARE	ACID-RESISTING EPOXY	
	-51	1-1/2" AUXILARY THREADED INLET				
	-52	2" AUXILIARY THREADED INLET		-VP	SECURED GRATE, VANDAL-RESISTANT SCREWS	
	-53	2" AUXILIARY HUB INLET				
	-54	2" AUXILIARY SPIGOT INLET	X	-X	INSIDE CAULK OUTLET	
	-53-92	2" AUXILIARY HUB INLET, GALVANIZED				

DATE OF LAST CHANGE: 7/23/18

DIMENSIONS ARE SUBJECT TO MANUFACTURERS TOLERANCES AND CHANGE WITHOUT NOTICE. WE CAN ASSUME NO RESPONSIBILITY FOR USE OF SUPERSEDED OR VOID DATA.

JOSAM
MICHIGAN CITY, INDIANA

NOTES

WARNING: Cancer and Reproductive Harm - www.P65Warnings.ca.gov