

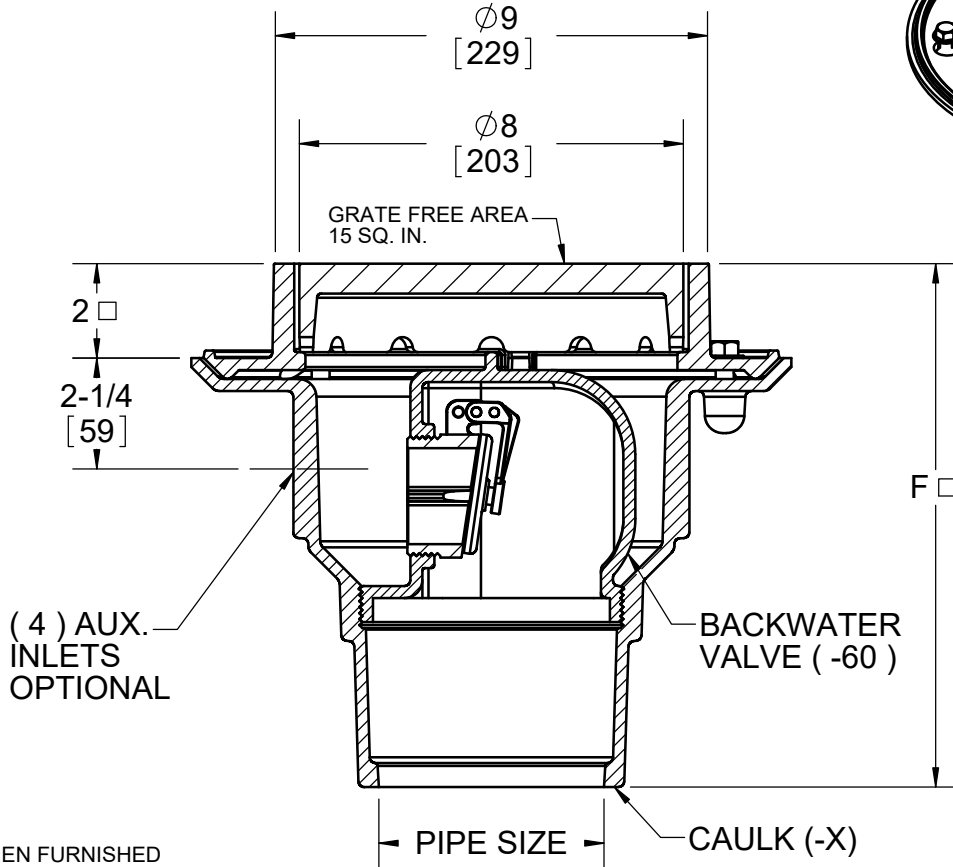
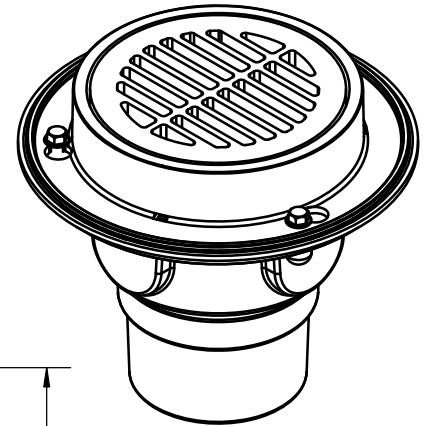
SPECIFICATION:

JOSAM 32160 SERIES COATED CAST IRON FLOOR DRAIN WITH DOUBLE DRAINAGE FLANGE, WEJLOC COLLAR, WEEP-HOLES, BOTTOM OUTLET, INSIDE CAULK CONNECTION, ROUND TOP AND HEAVY-DUTY LOOSE-SET TRACTOR GRATE.

**FLOOR DRAIN
9" ROUND TRACTOR TOP**

SERIES **32160**

SLOT WIDTH 3/8"
MEETS ADA



□ ADD 1/4" WHEN FURNISHED WITH NIKALOY OR BRONZE TOP

▲ CANNOT BE INSTALLED WITH (-60) BACKWATER VALVE OPTION

	3"	PIPE SIZE ("F" DIM. = 10 - 7/8")			-54-92	2" AUXILIARY SPIGOT INLET, GALVANIZED
	4"	PIPE SIZE ("F" DIM. = 11 - 1/4")			-60	BACKWATER VALVE
				▲	-62	"T"-HANDLE BRONZE CLOSURE PLUG
	-7	DUCTILE IRON GRATE			-66	NO-HUB SIDE OUTLET
	-12	SQUARE TOP, CAST IRON		▲	-71	SOLID CAST IRON BUCKET
	-15	CHAINED GRATE		▲	-81	SLOTTED CAST IRON BUCKET
	-19	CAST IRON UNDERGRATE W/SATINFINISH NIKALOY TOP		▲	-88	SUPPLEMENTARY STRAINER
	-44	FIXED EXTENSION COLLAR (3" STD. OR SPECIFY HT.)			-92	GALVANIZED CAST IRON PARTS
	-49	3/4" PRIMER TAP		▲	-TSI	TRAP SEAL INSERT
	-50	1/2" PRIMER TAP			-ARE	ACID-RESISTING EPOXY
	-51	1-1/2" AUXILARY THREADED INLET			-92	GALVANIZED CAST IRON PARTS
	-52	2" AUXILARY THREADED INLET			-ARE	ACID RESISTANT EPOXY COATING
	-53	2" AUXILARY HUB INLET			-VP	SECURED GRATE, VANDAL-PROFF SCREWS
	-54	2" AUXILARY SPIGOT INLET				
	-53-92	2" AUXILARY HUB INLET, GALVANIZED		X	-X	INSIDE CAULK OUTLET

DATE OF LAST CHANGE: 03/12/19

DIMENSIONS ARE SUBJECT TO MANUFACTURERS TOLERANCES AND CHANGE WITHOUT NOTICE. WE CAN ASSUME NO RESPONSIBILITY FOR USE OF SUPERSEDED OR VOID DATA.



MICHIGAN CITY, INDIANA

NOTES

WARNING: Cancer and Reproductive Harm - www.P65Warnings.ca.gov