

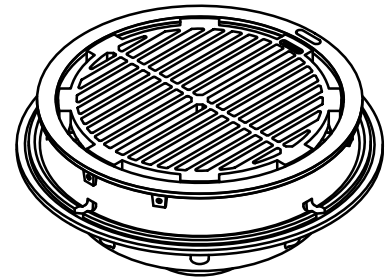
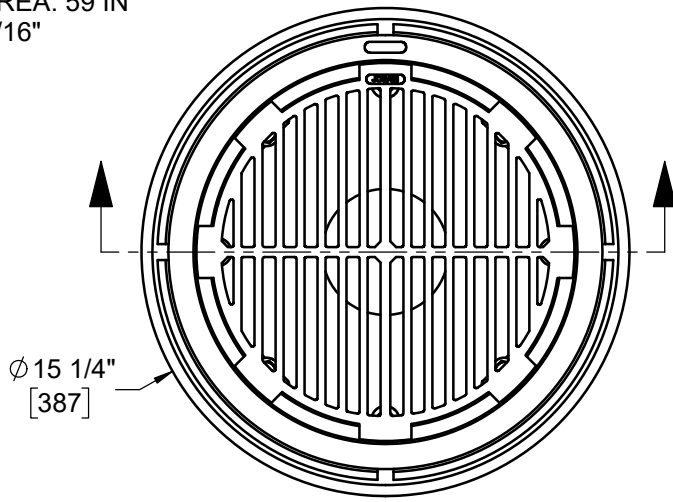
SPECIFICATION:

JOSAM 32200-1 SERIES COATED CAST IRON FLOOR DRAIN, SHALLOW TWO-PIECE BODY WITH DOUBLE DRAINAGE FLANGE, WEJLOC® NON-PUNCTURING FLASHING COLLAR, WEEPHOLES, BOTTOM OUTLET, ROUND TOP, MEDIUM-DUTY LOOSE-SET ANTI-TILTING SUPER-FLO GRATE WITH PERIMETER DRAINAGE SLOTS.

FLOOR DRAIN
12" ROUND TOP, SUPER-FLO®
 NIKALOY TOP

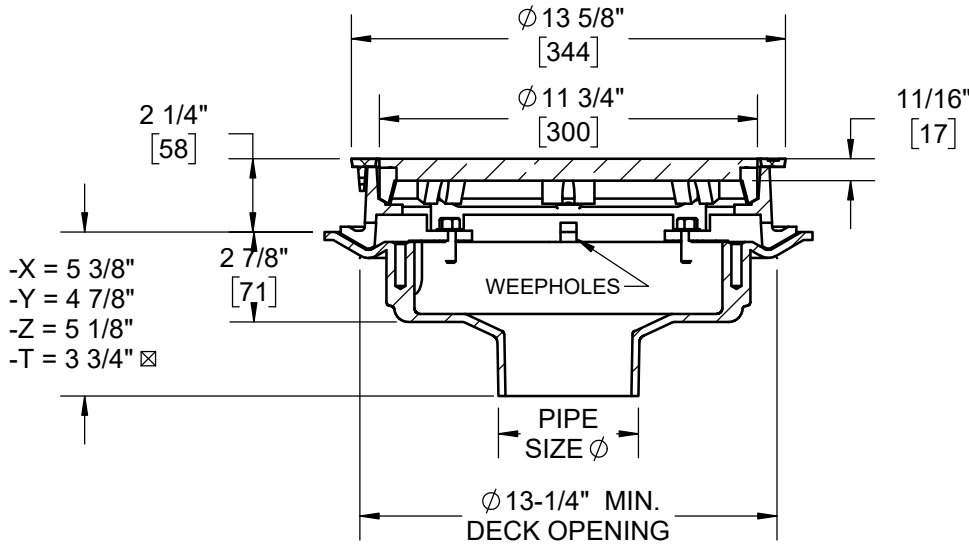
SERIES **32200-1**

GRATE FREE AREA: 59 IN²
 SLOT WIDTH: 7/16"



☒ 5-3/4" HEIGHT FOR 8" THREADED (-T) OUTLET

GASKET FOR -Y AND -X OUTLETS CONFORMS TO ASTM-C564



	PIPE SIZE
	2"
	3"
	4"
	5"
	6"
	8"

X	-1	SATIN FINISH NIKALOY TOP
	-2	SATIN FINISH BRONZE TOP
	-4	SECONDARY FLASH. CLAMP (W/ -AE ONLY)
	-7	DUCTILE IRON GRATE
	-13	DOME GRATE, CAST IRON
	-13-1	DOME GRATE, NIKALOY
	-13-2	DOME GRATE, BRONZE
	-15	CHAINED GRATE
	-44	FIXED EXTENSION, CI (2" STD OR SPECIFY)
	-44-92	FIXED EXTENSION, GALVANIZED
	-49	3/4" PRIMER TAP
	-50	1/2" PRIMER TAP
	-66	NO-HUB SIDE OUTLET (2" - 6")

	-81	SLOTTED CAST IRON BUCKET
	-84	SS MESH BUCKET LINER (MUST SPEC. -81)
	-88	SUPPLEMENTARY STRAINER
	-92	GALVANIZED CAST IRON PARTS
	-AE	LEVELEZE ADJUSTABLE EXTENSION
	-ARE	ACID-RESISTANT EPOXY COATING
	-SD	SPECIAL-DUTY GRATE
	-HP	HEEL-PROOF GRATE, CI, 5/16" SLOT WIDTH, 25 SQ IN FREE AREA
	-VP	SECURED GRATE, VP SCREWS
	-T	THREADED OUTLET
	-X	INSIDE CAULK OUTLET
	-Y	HUB OUTLET W/ GASKET (2" - 4" SIZES ONLY)
	-Z	NO-HUB OUTLET

WARNING: Cancer and Reproductive Harm - www.P65Warnings.ca.gov

DATE OF LAST CHANGE: 07/24/18

DIMENSIONS ARE SUBJECT TO MANUFACTURERS TOLERANCES AND CHANGE WITHOUT NOTICE. WE CAN ASSUME NO RESPONSIBILITY FOR USE OF SUPERSEDED OR VOID DATA.



MICHIGAN CITY, INDIANA

NOTES