

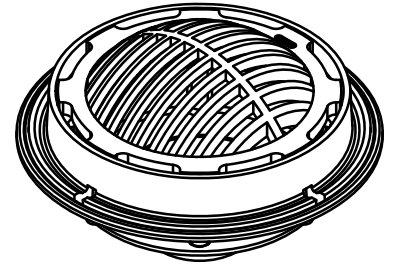
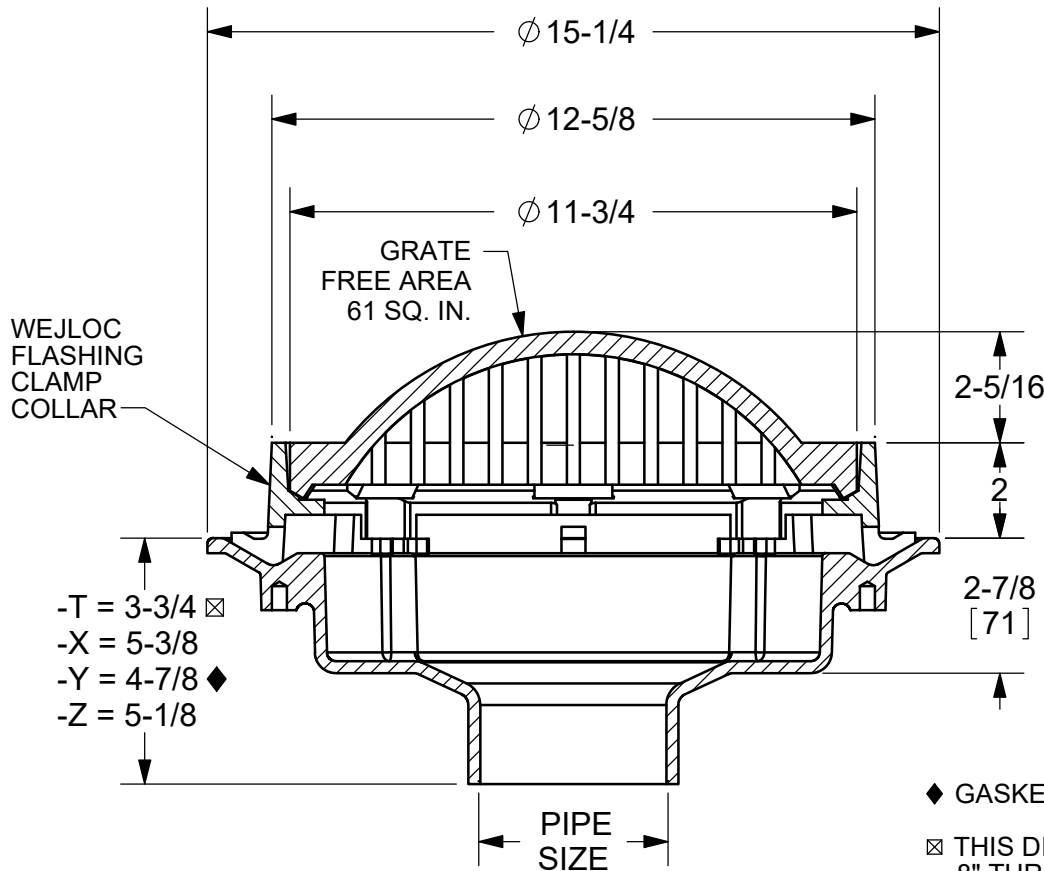
SPECIFICATION:

JOSAM 32200-13 SERIES COATED CAST IRON FLOOR DRAIN, SHALLOW TWO-PIECE BODY WITH DOUBLE DRAINAGE FLANGE, WEJLOC® NON-PUNCTURING FLASHING COLLAR, WEEPHOLES, BOTTOM OUTLET, ROUND TOP, MEDIUM-DUTY LOOSE-SET ANTI-TILTING SUPER-FLO® DOME WITH PERIMETER DRAINAGE SLOTS.

FLOOR DRAIN
12" DOME TOP, SUPER-FLO®

SERIES **32200-13**

SLOT WIDTH 9/16"



- ◆ GASKET CONFORMS WITH ASTM-C564
- ☒ THIS DIMENSION IS 5-3/4" ON 8" THREADED OUTLET

	2"	PIPE SIZE		-15	CHAINED GRATE
	3"	PIPE SIZE		-ARE	ACID-RESISTING EPOXY
	4"	PIPE SIZE		-VP	SECURED GRATE, VANDAL-PROOF SCREWS
	5"	PIPE SIZE		-44	FIXED EXTENSION COLLAR, C.I. (SPEC. HT.) 2" STD.
	6"	PIPE SIZE		-44-92	FIXED EXTENSION COLLAR, GALV. (SPEC. HT.) 2" STD.
	8"	PIPE SIZE		-49	3/4" PRIMER TAP
				-50	1/2" PRIMER TAP
	-AE	LEVELEZE® ADJUSTABLE EXTENSION		-84	STAINLESS STEEL MESH BUCKET LINER
	-81	SLOTTED CAST IRON BUCKET		-88	SUPPLEMENTARY STRAINER
	-SD	SPECIAL-DUTY GRATE		-92	GALVANIZED CAST IRON PARTS
	-1	SATIN FINISH NIKALOY TOP			
	-2	SATIN FINISH BRONZE TOP		-66	NO-HUB SIDE OUTLET (2" - 6" ONLY)
	-4	SECONDARY FLASHING CLAMP (USE WITH -AE ONLY)			
	-7	DUCTILE IRON GRATE		-T	THREADED OUTLET
X	-13	DOME GRATE, CAST IRON		-X	INSIDE CAULK OUTLET
	-13-1	DOME GRATE, NIKALOY		-Y	HUB OUTLET WITH GASKET (2" THRU 4" SIZES)
	-13-2	DOME GRATE, BRONZE		-Z	NO-HUB OUTLET

DATE OF LAST CHANGE: 07/24/18

DIMENSIONS ARE SUBJECT TO MANUFACTURERS TOLERANCES AND CHANGE WITHOUT NOTICE. WE CAN ASSUME NO RESPONSIBILITY FOR USE OF SUPERSEDED OR VOID DATA.

JOSAM

MICHIGAN CITY, INDIANA

NOTES