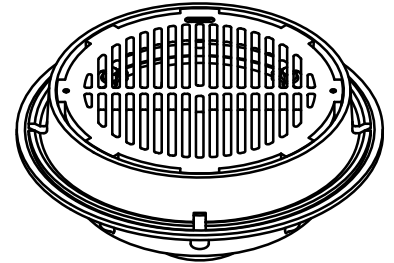
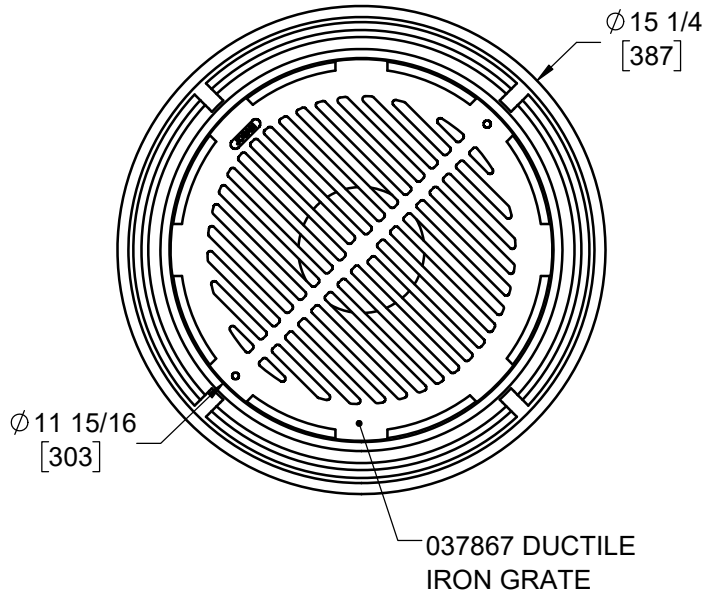


SPECIFICATION:

JOSAM 32200-HP-7 SERIES COATED CAST IRON FLOOR DRAIN, SHALLOW TWO-PIECE BODY WITH DOUBLE DRAINAGE FLANGE, WEJLOC® NON-PUNCTURING FLASHING COLLAR, WEEPHOLES, BOTTOM OUTLET, ROUND TOP, SPECIAL-DUTY LOOSE-SET ANTI-TILTING SUPER-FLO GRATE WITH PERIMETER DRAINAGE SLOTS.

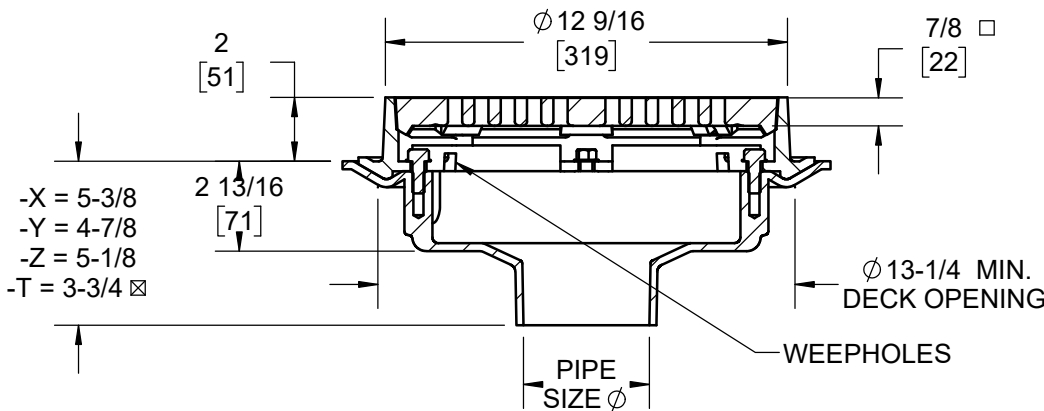
FLOOR DRAIN
12" ROUND TOP, SUPER-FLO®

SERIES **32200-HP-7**



- ADD 1/4" WHEN FURNISHED WITH NIKALOY OR BRONZE TOP
- ☒ 5-3/4" HEIGHT FOR 8" THREADED (-T) OUTLET

GASKET FOR -Y AND -X OUTLETS CONFORMS TO ASTM-C564



PIPE SIZE
2"
3"
4"
5"
6"
8"

	-1	SATIN FINISH NIKALOY TOP	△
	-2	SATIN FINISH BRONZE TOP	
△	-4	SECONDARY FLASH. CLAMP (W/ -AE ONLY)	
X	-7	DUCTILE IRON GRATE	
	-13	DOME GRATE, CAST IRON	
	-13-1	DOME GRATE, NIKALOY	
	-13-2	DOME GRATE, BRONZE	△
	-15	CHAINED GRATE	
	-44	FIXED EXTENSION, CI (2" STD OR SPECIFY)	
	-44-92	FIXED EXTENSION, GALVANIZED	
	-49	3/4" PRIMER TAP	
	-50	1/2" PRIMER TAP	
	-66	NO-HUB SIDE OUTLET (2" - 6")	

	-81	SLOTTED CAST IRON BUCKET	
	-84	SS MESH BUCKET LINER (MUST SPEC. -81)	
	-88	SUPPLEMENTARY STRAINER	
	-92	GALVANIZED CAST IRON PARTS	
	-AE	LEVELEZE ADJUSTABLE EXTENSION	
	-ARE	ACID-RESISTANT EPOXY COATING	
	-SD	SPECIAL-DUTY GRATE	△
X	-HP	HEEL-PROOF GRATE, CI, 5/16" SLOT WIDTH, 25 SQ IN FREE AREA	
	-VP	SECURED GRATE, VP SCREWS	
	-T	THREADED OUTLET	
	-X	INSIDE CAULK OUTLET	
	-Y	HUB OUTLET W/ GASKET (2" - 4" SIZES ONLY)	
	-Z	NO-HUB OUTLET	

△ SEPARATE SUBMITTAL AVIALABLE FOR THIS OPTION AVAILABLE

DATE OF LAST CHANGE: 07/24/18

DIMENSIONS ARE SUBJECT TO MANUFACTURERS TOLERANCES AND CHANGE WITHOUT NOTICE. WE CAN ASSUME NO RESPONSIBILITY FOR USE OF SUPERSEDED OR VOID DATA.

JOSAM
MICHIGAN CITY, INDIANA

NOTES