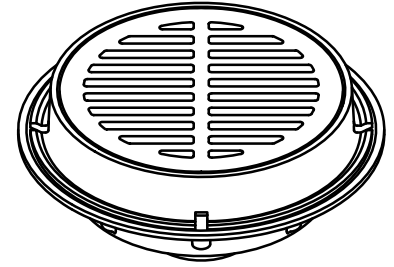
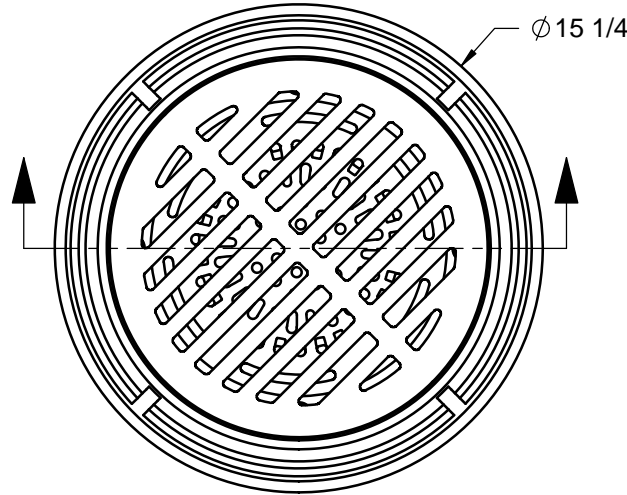


SPECIFICATION:

JOSAM 32200-SD-81 SERIES COATED CAST IRON FLOOR DRAIN, SHALLOW TWO-PIECE BODY WITH DOUBLE DRAINAGE FLANGE, WEJLOC® NON-PUNCTURING FLASHING COLLAR, WEEPHOLES, BOTTOM OUTLET, ROUND TOP WITH REMOVABLE SEDIMENT BUCKET THAT SUPPORTS A SPECIAL-DUTY LOOSE-SET ANTI-TILTING SUPER-FLO GRATE.

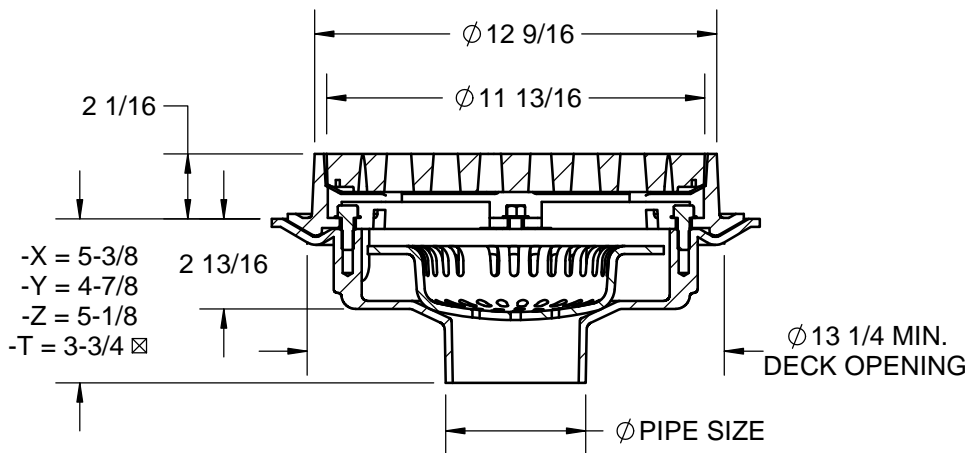
FLOOR DRAIN
12" ROUND TOP, LAMINATE

SERIES **32200-SD-81**



- ADD 1/4" WHEN FURNISHED WITH NIKALOY OR BRONZE TOP
- 5-3/4" HEIGHT FOR 8" THREADED (-T) OUTLET

GASKET FOR -Y AND -X OUTLETS CONFORMS TO ASTM-C564



PIPE SIZE
2"
3"
4"
5"
6"
8"

WARNING: Cancer and Reproductive Harm - www.P65Warnings.ca.gov

-1	SATIN FINISH NIKALOY TOP	X	-81	SLOTTED CAST IRON BUCKET
-2	SATIN FINISH BRONZE TOP		-84	SS MESH BUCKET LINER (MUST SPEC. -81)
-4	SECONDARY FLASH. CLAMP (W/ -AE ONLY)		-88	SUPPLEMENTARY STRAINER
-7	DUCTILE IRON GRATE		-92	GALVANIZED CAST IRON PARTS
-13	DOME GRATE, CAST IRON		-AE	LEVELZEZ ADJUSTABLE EXTENSION
-13-1	DOME GRATE, NIKALOY		-ARE	ACID-RESISTANT EPOXY COATING
-13-2	DOME GRATE, BRONZE	X	-SD	SPECIAL-DUTY GRATE
-15	CHAINED GRATE		-HP	HEEL-PROOF GRATE, CI, 5/16" SLOT WIDTH, 25 SQ IN FREE AREA
-44	FIXED EXTENSION, CI (2" STD OR SPECIFY)		-VP	SECURED GRATE, VP SCREWS
-44-92	FIXED EXTENSION, GALVANIZED		-T	THREADED OUTLET
-49	3/4" PRIMER TAP		-X	INSIDE CAULK OUTLET
-50	1/2" PRIMER TAP		-Y	HUB OUTLET W/ GASKET (2" - 4" SIZES ONLY)
-66	NO-HUB SIDE OUTLET (2" - 6")		-Z	NO-HUB OUTLET

DATE OF LAST CHANGE: 7/17/18

DIMENSIONS ARE SUBJECT TO MANUFACTURERS TOLERANCES AND CHANGE WITHOUT NOTICE. WE CAN ASSUME NO RESPONSIBILITY FOR USE OF SUPERSEDED OR VOID DATA.

JOSAM
MICHIGAN CITY, INDIANA

NOTES