

SPECIFICATION:

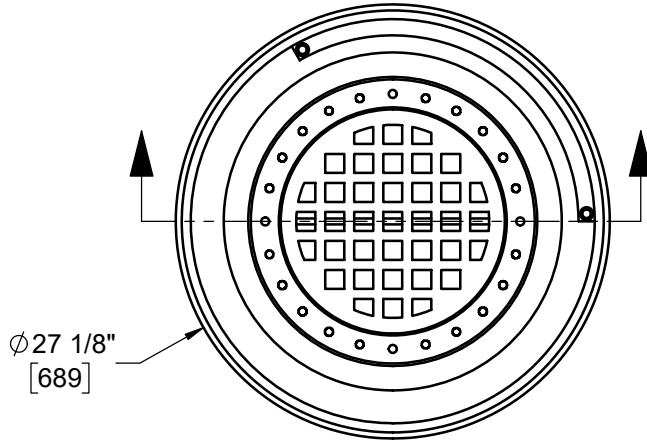
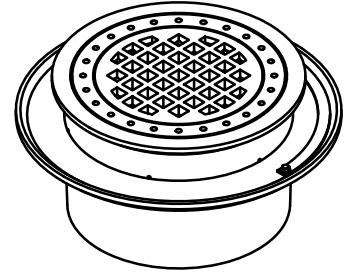
JOSAM 34920 SERIES COATED CAST IRON FLOOR DRAIN WITH DOUBLE DRAINAGE FLANGE, WEEPHOLES, BOTTOM OUTLET, ROUND TOP WITH REMOVABLE SEDIMENT BUCKET DESIGNED SO EXTRA HEAVY-DUTY NON-CLOG GRATE CANNOT BE REPLACED WITHOUT BUCKET IN PLACE

**FLOOR DRAIN
NON-CLOG 21" ROUND
WITH BUCKET**

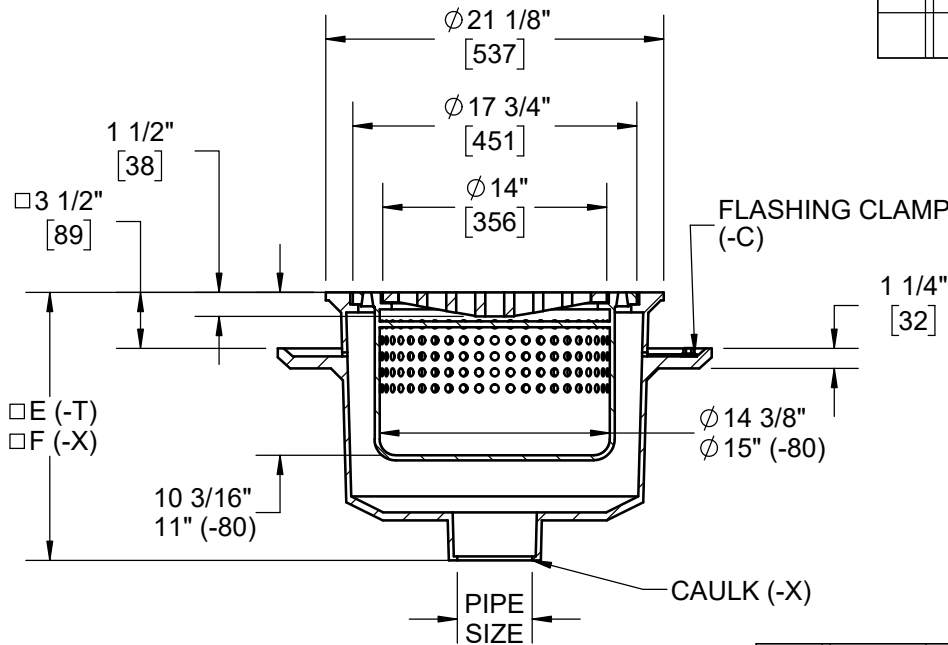
SERIES

34920

GRATE FREE AREA: 50.6IN²
STD. CAST IRON SLOT WIDTH 1-3/16" SQ.
-19 AND -20 SLOT WIDTH 1-3/16" SQ.



	PIPE SIZE	E	F
	3"	14-3/4	16-7/8
	4"	14-3/4	16-3/4
	5"	15	16-7/8
	6"	15	17-3/4
	8"	15-1/4	17-3/4



PRODUCT IS NON-CANCELABLE AND NON-RETURNABLE

NAME:
SIGNATURE:
DATE:

ADD 1/4" WHEN FURNISHED WITH NIKALOY OR BRONZE TOP

-12	SQUARE TOP
-12-1	SQUARE TOP, NIKALOY
-12-2	SQUARE TOP, BRONZE
-15	CHAINED GRATE
-19	CAST IRON UNDERGRATE LAMINATED TOP, NIKALOY
-20	CAST IRON UNDERGRATE LAMINATED TOP, BRONZE
-49	3/4" PRIMER TAP
-50	1/2" PRIMER TAP

-66	NO-HUB SIDE OUTLET (3"-6")
-80	PERFORATED COPPER BASKET
-84	STAINLESS STEEL MESH BUCKET LINER
-92	GALVANIZED CAST IRON PARTS
-VP	SECURED GRATE, VANDAL-PROOF SCREWS
-C	BOLTED FLASHING CLAMP DEVICE
-TSI	TRAP SEAL INSERT (2"-4")
-T	THREADED OUTLET
-X	INSIDE CAULK OUTLET

DATE OF LAST CHANGE: 04/15/21

DIMENSIONS ARE SUBJECT TO MANUFACTURERS TOLERANCES AND CHANGE WITHOUT NOTICE. WE CAN ASSUME NO RESPONSIBILITY FOR USE OF SUPERSEDED OR VOID DATA.

JOSAM

MICHIGAN CITY, INDIANA

NOTES