

SPECIFICATION:

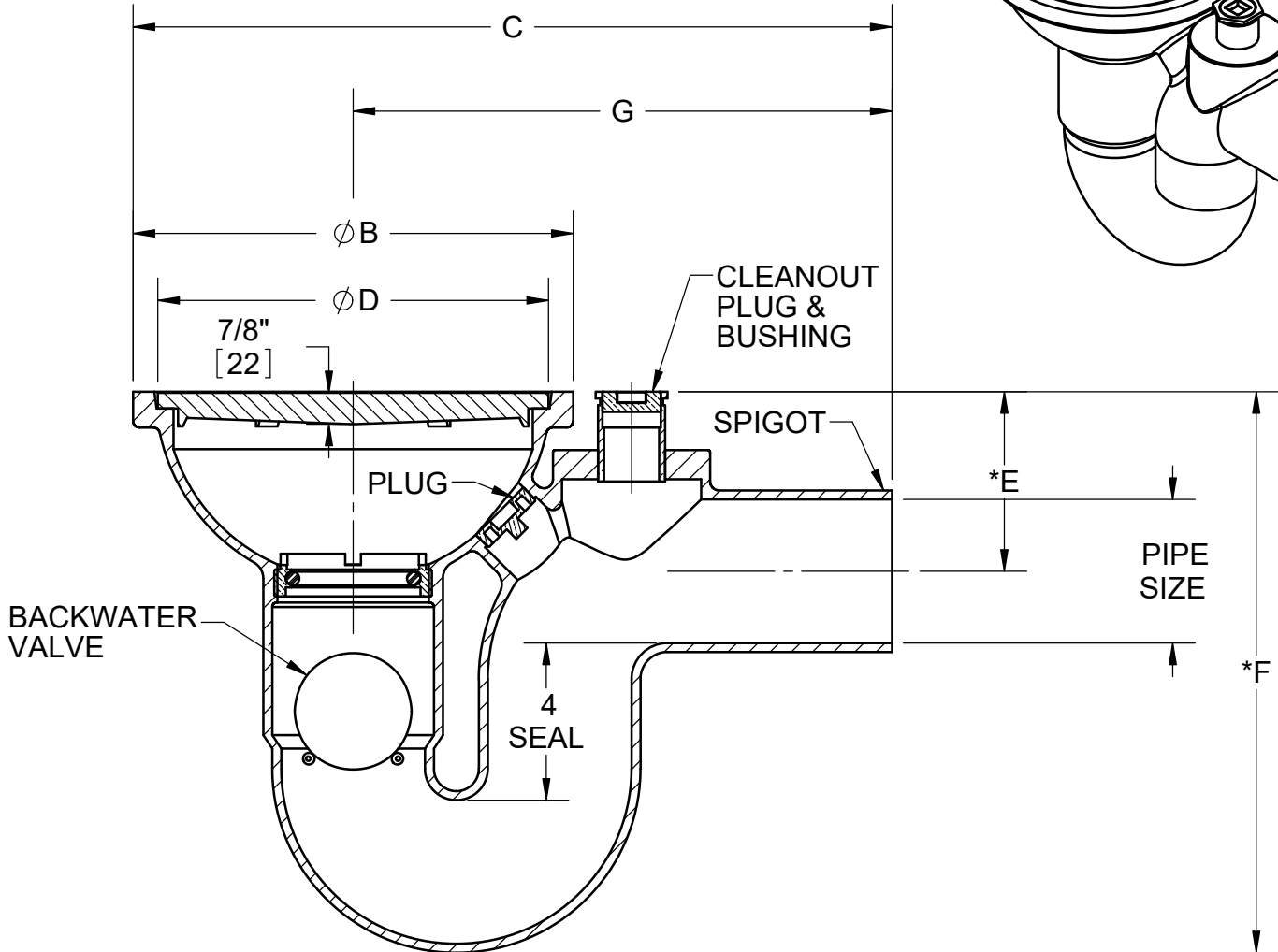
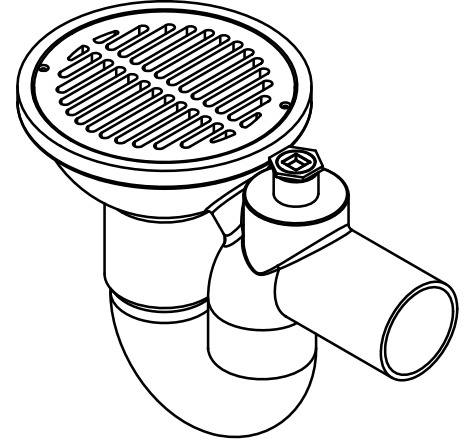
JOSAM 38250A SERIES COATED CAST IRON COMBINATION FLOOR DRAIN AND INTEGRAL DEEP SEAL TRAP, SIDE OUTLET SPIGOT CONNECTION, ROUND TOP, MEDIUM-DUTY LOOSE-SET GRATE, FLUSH-WITH-FLOOR CLEANOUT AND BALL-FLOAT TYPE BACKWATER VALVE.

FLOOR DRAIN
ROUND TOP W/CLEANOUT & BWV

SERIES **38250A**

SLOT WIDTH 7/16" (-1 & -2 SLOT WIDTH 7/16")

* WHEN FURNISHED WITH NIKALOY OR BRONZE TOP ADD 1/4" ON 2" & 3" OUTLET TYPES, ADD 1/2" ON 4" OUTLET TYPE.



	PIPE SIZE	Ø B	DIM C	Ø D	DIM E	DIM F	DIM G	FREE AREA
	2"	9"	15"	8"	4-1/2"	11-7/8"	10-1/2"	17.7
	3"	10"	18"	9"	3-7/8"	12-3/4"	13"	18.3
	4"	12-1/4"	21"	11"	5-3/8"	15-5/8"	15"	29.4

-1	SATIN FINISH NIKALOY TOP	-VP	SECURED GRATE, VANDAL-PROOF SCREWS
-2	SATIN FINISH BRONZE TOP	-61	LESS BACKWATER VALVE
-15	CHAINED GRATE	-92	GALVANIZED CAST IRON PARTS

DATE OF LAST CHANGE: 07/24/18

DIMENSIONS ARE SUBJECT TO MANUFACTURERS TOLERANCES AND CHANGE WITHOUT NOTICE. WE CAN ASSUME NO RESPONSIBILITY FOR USE OF SUPERSEDED OR VOID DATA.

JOSAM
MICHIGAN CITY, INDIANA

NOTES