

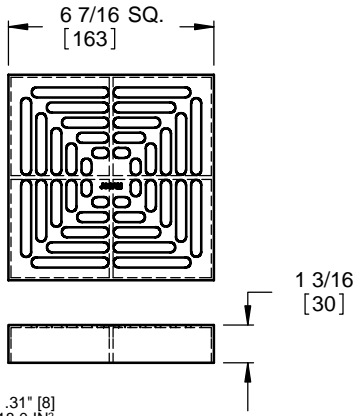
SPECIFICATION:

GRATE ASSORTMENT FOR JOSAM 41400 AND 43400 TYPE 304
8" SQUARE TOP DRAINS.

SS DRAINS
8" SQUARE TOPS

SERIES 41400/43400

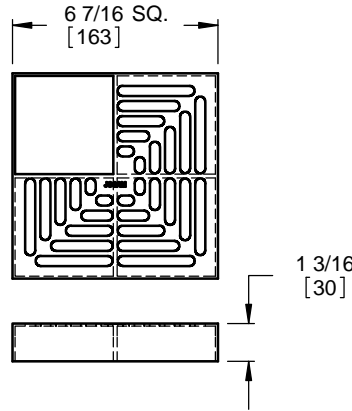
STANDARD PERFORATED GRATE



SLOT WIDTH - .31" [8]
FREE AREA - 18.0 IN²

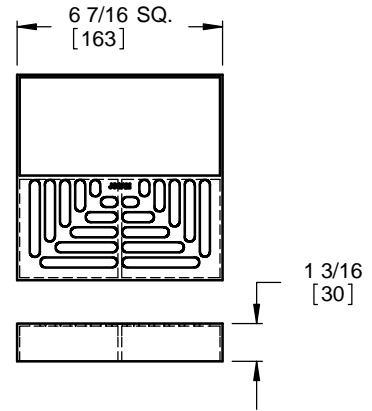
LOAD - MEDIUM DUTY
MEETS ADA AND HEEL-PROOF REQS.

- 3Q 3/4 PERFORATED GRATE



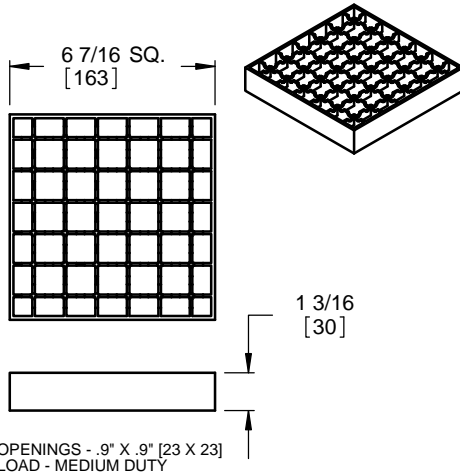
SLOT WIDTH - .31" [8]
LOAD - MEDIUM DUTY

- HG PERFORATED 1/2 GRATE

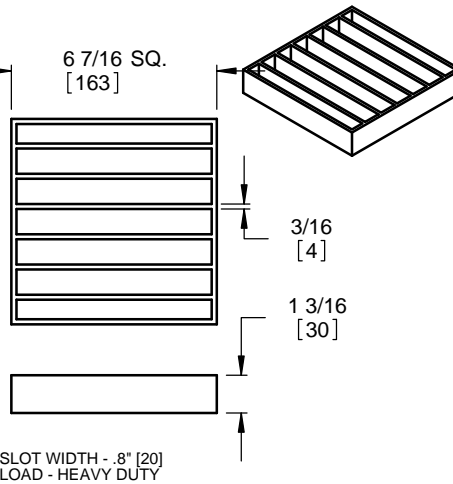


SLOT WIDTH - .31" [8]
LOAD - MEDIUM DUTY

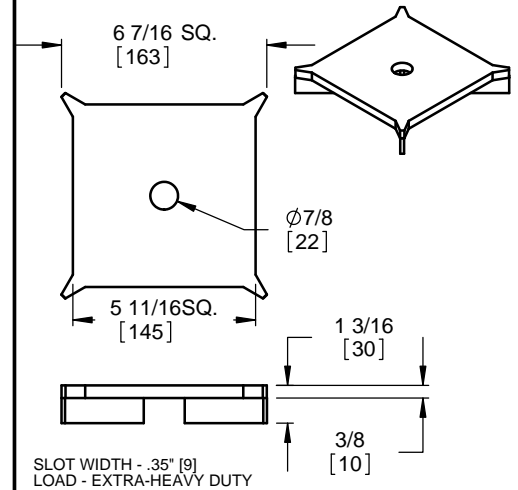
- MG ANTI-SLIP MESH GRATE



- LG LADDER GRATE



- SG PERIMETER SLOT GRATE



WARNING: Cancer and Reproductive Harm - www.P65Warnings.ca.gov

DATE OF LAST CHANGE: 7/16/18

DIMENSIONS ARE SUBJECT TO MANUFACTURERS
TOLERANCES AND CHANGE WITHOUT NOTICE.
WE CAN ASSUME NO RESPONSIBILITY FOR
USE OF SUPERSEDED OR VOID DATA.



NOTES