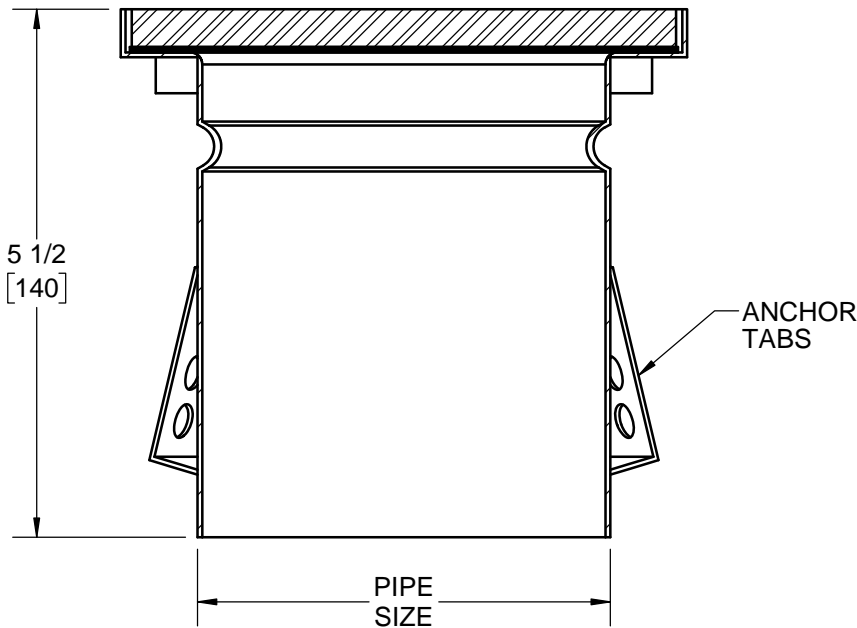
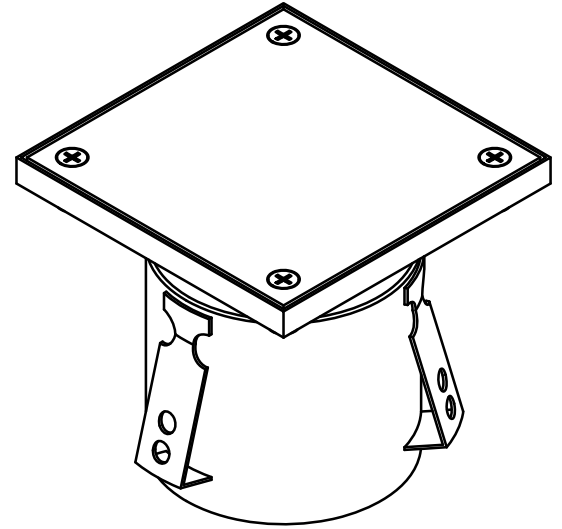
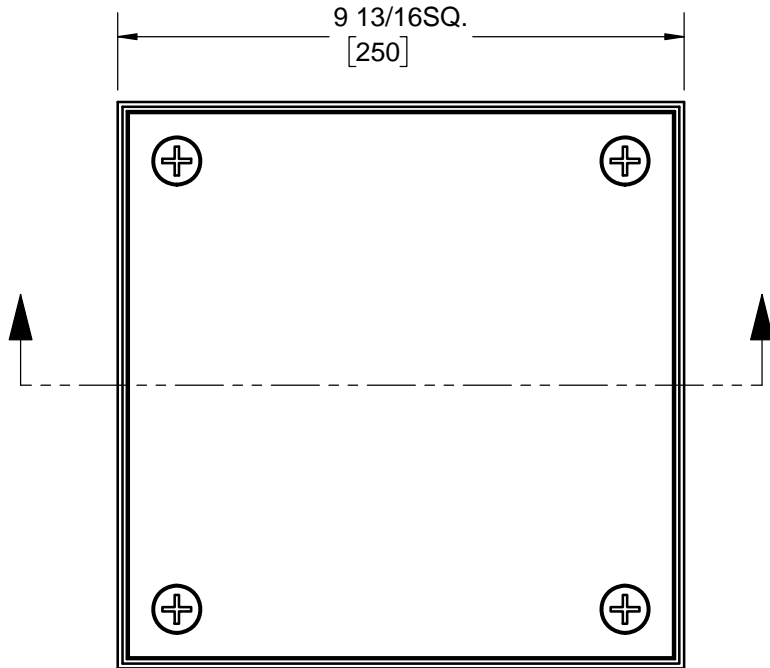


**SPECIFICATION:**

JOSAM SERIES 41500 FABRICATED STAINLESS STEEL (TYPE 304), 10" SQUARE TOP, NO-HUB BOTTOM OUTLET, AND SMOOTH SECURED COVER WITH GASKET.

**SS CLEANOUT  
SQUARE TOP**

SERIES **41500**



**OPTIONS:**

-DP	DIAMOND PLATE COVER
-IP	INTERNAL PLUG, GASKETED
-BW	BUTT-WELDED OUTLET
-PFO	PUSH-FIT OUTLET SIZE

MODEL	PIPE SIZE
41504	4"
41506	6"
41508	8"

WARNING: Cancer and Reproductive Harm - www.P65Warnings.ca.gov

DATE OF LAST CHANGE: 7/16/18

DIMENSIONS ARE SUBJECT TO MANUFACTURERS TOLERANCES AND CHANGE WITHOUT NOTICE. WE CAN ASSUME NO RESPONSIBILITY FOR USE OF SUPERSEDED OR VOID DATA.

**JOSAM**  
MICHIGAN CITY, INDIANA

NOTES