

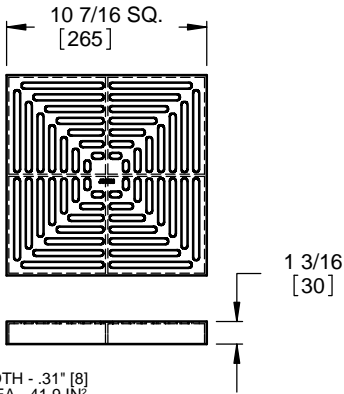
SPECIFICATION:

GRATE ASSORTMENT FOR JOSAM 41600 AND 43600 TYPE 304
12" SQUARE TOP DRAINS.

SS DRAINS
12" SQUARE TOPS

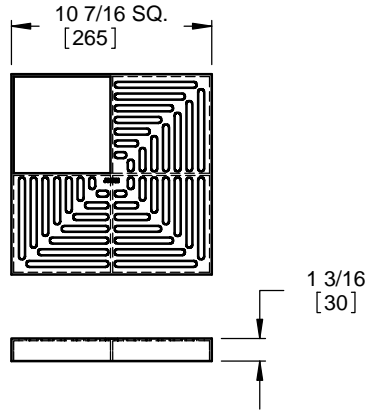
SERIES 41600/43600

STANDARD PERFORATED GRATE



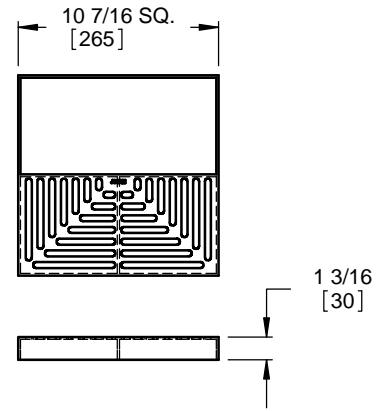
SLOT WIDTH - .31" [8]
FREE AREA - 41.9 IN²
LOAD - MEDIUM DUTY
MEETS ADA AND HEEL-PROOF REQS.

- 3Q 3/4 PERFORATED GRATE



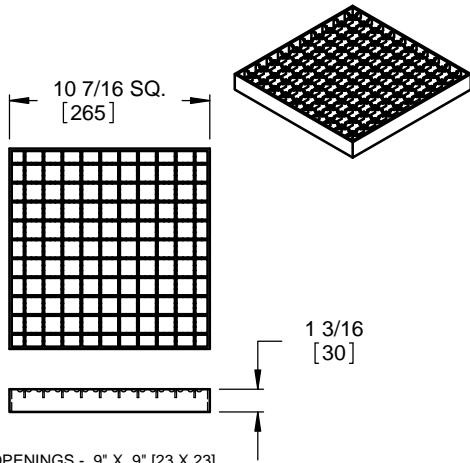
SLOT WIDTH - .31" [8]
LOAD - MEDIUM DUTY

- HG PERFORATED 1/2 GRATE



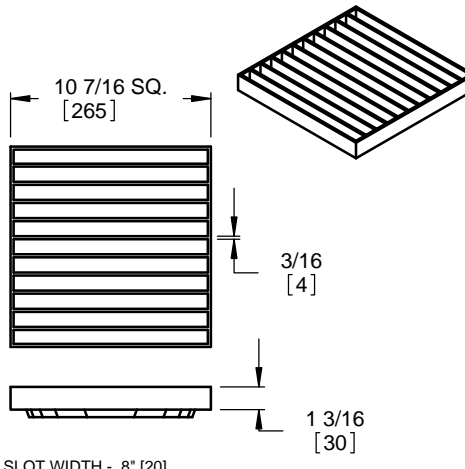
SLOT WIDTH - .31" [8]
LOAD - MEDIUM DUTY

- MG ANTI-SLIP MESH GRATE



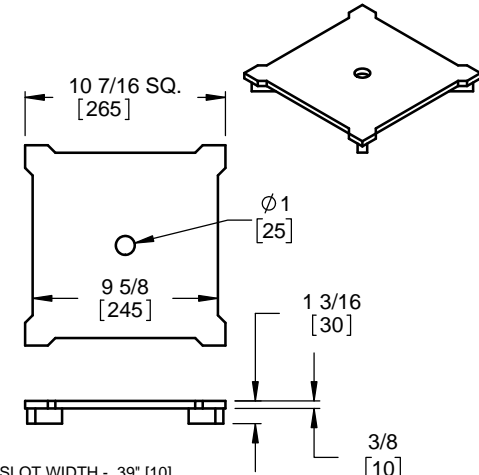
OPENINGS - .9" X .9" [23 X 23]
LOAD - MEDIUM DUTY

- LG LADDER GRATE



SLOT WIDTH - .8" [20]
LOAD - HEAVY DUTY

- SG PERIMETER SLOT GRATE



SLOT WIDTH - .39" [10]
LOAD - EXTRA-HEAVY DUTY

WARNING: Cancer and Reproductive Harm - www.P65Warnings.ca.gov

DATE OF LAST CHANGE: 7/16/18

DIMENSIONS ARE SUBJECT TO MANUFACTURERS
TOLERANCES AND CHANGE WITHOUT NOTICE.
WE CAN ASSUME NO RESPONSIBILITY FOR
USE OF SUPERSEDED OR VOID DATA.

JOSAM
MICHIGAN CITY, INDIANA

NOTES