

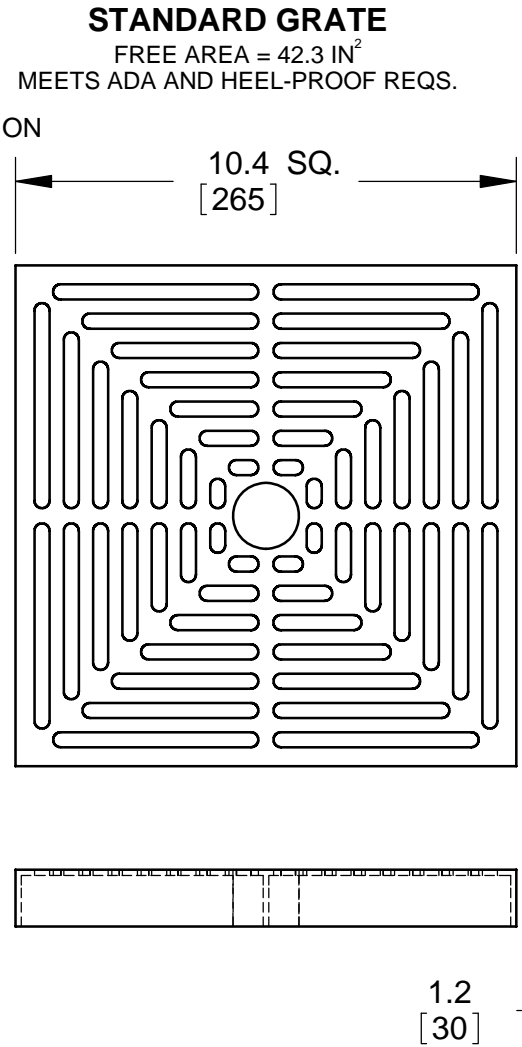
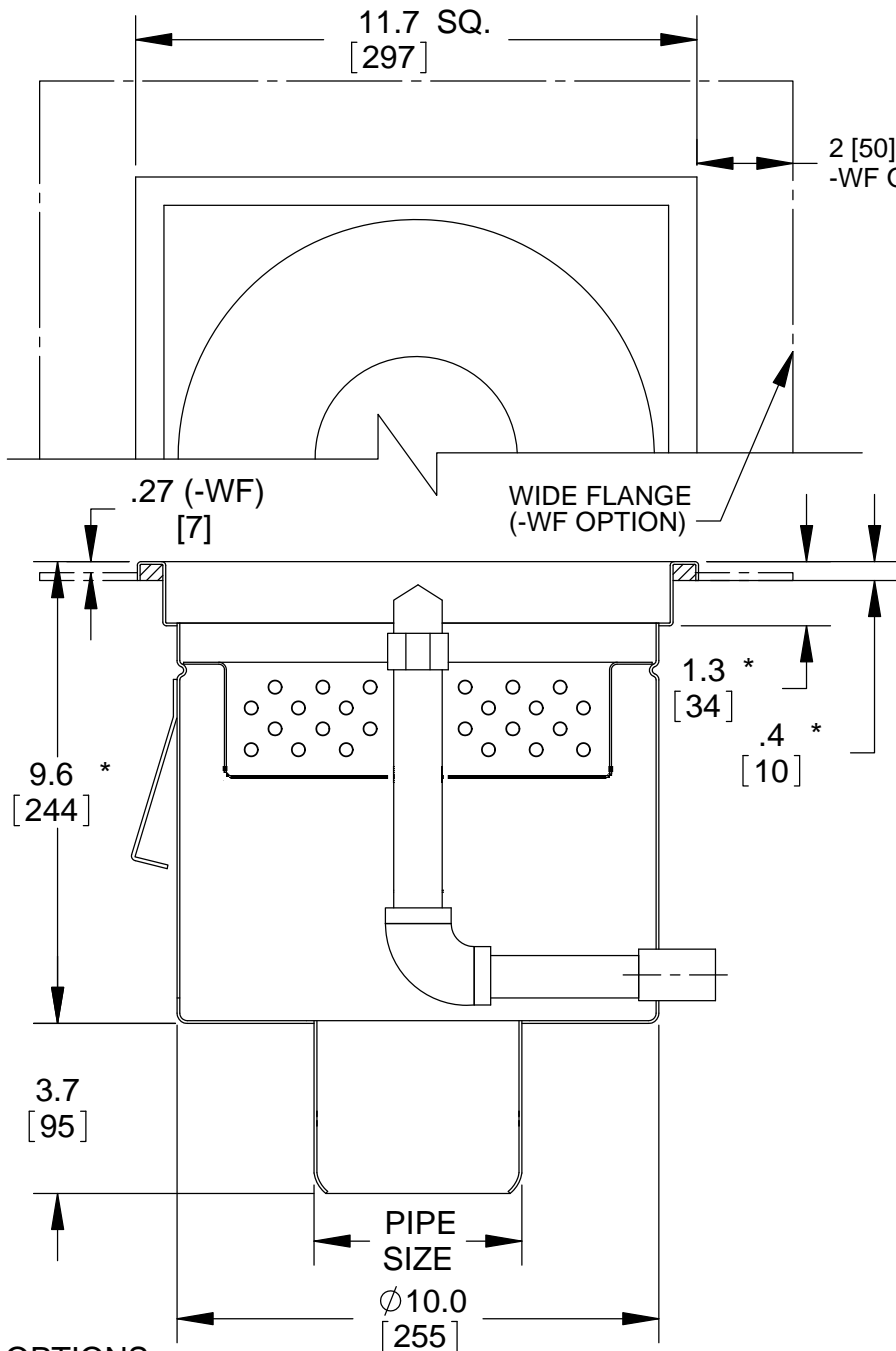
SPECIFICATION:

JOSAM SERIES 41650-CWD FABRICATED STAINLESS STEEL (TYPE 304), 12" SQUARE TOP, 10" DEEP, WITH SPRAY NOZZLE, REMOVABLE SEDIMENT BUCKET, NO-HUB BOTTOM OUTLET, ANCHOR TABS AND PERFORATED SS GRATE (STANDARD).

SS DRAIN

12" SQUARE TOP, 10" DEEP
CAN WASH DRAIN

SERIES **41650-CWD**



	MODEL	PIPE SIZE
	41653-CWD	3"
	41654-CWD	4"
	41656-CWD	6"

OPTIONS:

	-NB	NICKEL BRONZE RIM & GRATE (*ADD 0.5")
X	-FB	FILTER BASKET (PERF. BOTTOM)
	-SB	SEDIMENT BUCKET (SOLID BOTTOM)
	-VP	SECURED GRATE
	-SO	SIDE OUTLET
	-50	1/2" PRIMER TAP
	-WF	2" WIDE FLANGE
	-T	THREADED OUTLET

	-BW	BUTT-WELD OUTLET (SPEC. 10, 40, 80)
	-NG	NO GRATE
	-HG	PERF. HALF GRATE
	-3Q	PERF. 3/4 GRATE
	-MG	MESH, ANTI-SLIP GRATE
	-LG	LADDER GRATE
	-SG	PERIMETER SLOT GRATE
	-316	TYPE 316L MATERIAL

DATE OF LAST CHANGE: 07/16/13

DIMENSIONS ARE SUBJECT TO MANUFACTURERS TOLERANCES AND CHANGE WITHOUT NOTICE. WE CAN ASSUME NO RESPONSIBILITY FOR USE OF SUPERSEDED OR VOID DATA.

JOSAM COMPANY
MICHIGAN CITY, INDIANA

NOTES