

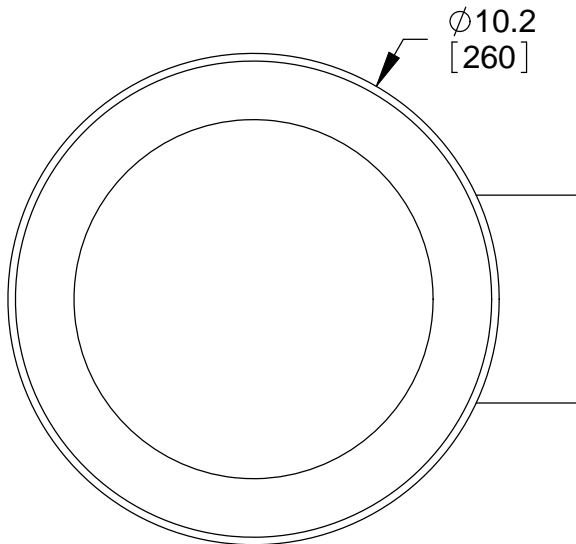
**SPECIFICATION:**

JOSAM SERIES 42550-SO FABRICATED STAINLESS STEEL (TYPE 304), 10" ROUND TOP, 10" DEEP, WITH NO-HUB SIDE OUTLET, ANCHOR TABS AND PERFORATED SS GRATE (STANDARD).

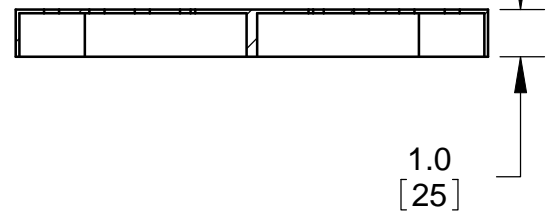
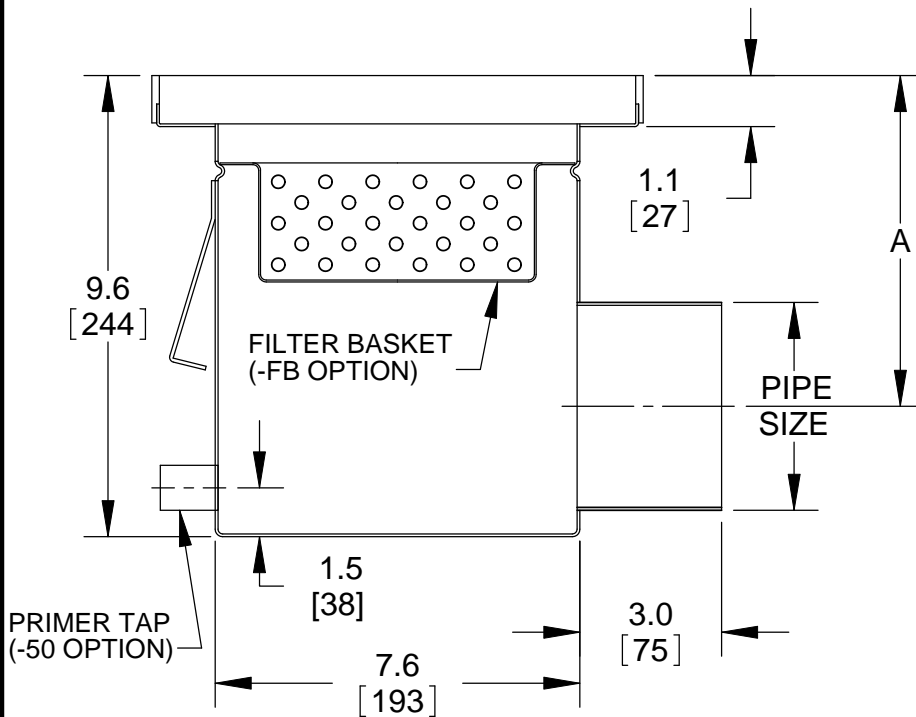
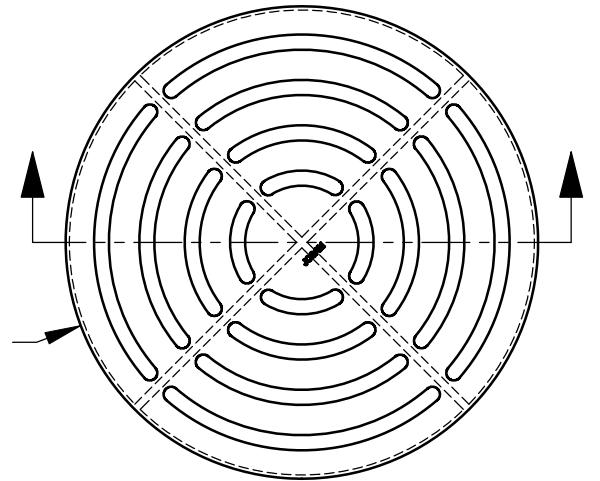
**SS DRAIN**

10" ROUND TOP, 10" DEEP  
SIDE OUTLET

SERIES **42550-SO**



**STANDARD GRATE**  
FREE AREA = 19.9 IN<sup>2</sup>  
MEETS ADA AND HEEL-PROOF REQMNTS.



MODEL	PIPE SIZE	A
42552-SO	2"	7.9 [202]
42553-SO	3"	7.4 [188]
42554-SO	4"	6.9 [175]

**OPTIONS:**

	-FB	FILTER BASKET
	-SB	SEDIMENT BUCKET
	-VP	SECURED GRATE
<b>X</b>	-SO	SIDE OUTLET
	-50	1/2" PRIMER TAP
	-T	THREADED OUTLET
	-BW	BUTT-WELD OUTLET (SPEC. 10, 40, 80)
	-316	TYPE 316L MATERIAL

	-NG	NO GRATE
	-HG	PERF. HALF GRATE
	-3Q	PERF. 3/4 GRATE
	-MG	MESH, ANTI-SLIP GRATE
	-LG	LADDER GRATE
	-SG	PERIMETER SLOT GRATE
	-SK	SEALED COVER W/ EYEBOLT KEY
	-SV	SEALED COVER W/ VACUUM HNDL

DATE OF LAST CHANGE: 07/14/10

DIMENSIONS ARE SUBJECT TO MANUFACTURERS TOLERANCES AND CHANGE WITHOUT NOTICE. WE CAN ASSUME NO RESPONSIBILITY FOR USE OF SUPERSEDED OR VOID DATA.

**JOSAM COMPANY**  
MICHIGAN CITY, INDIANA

NOTES