

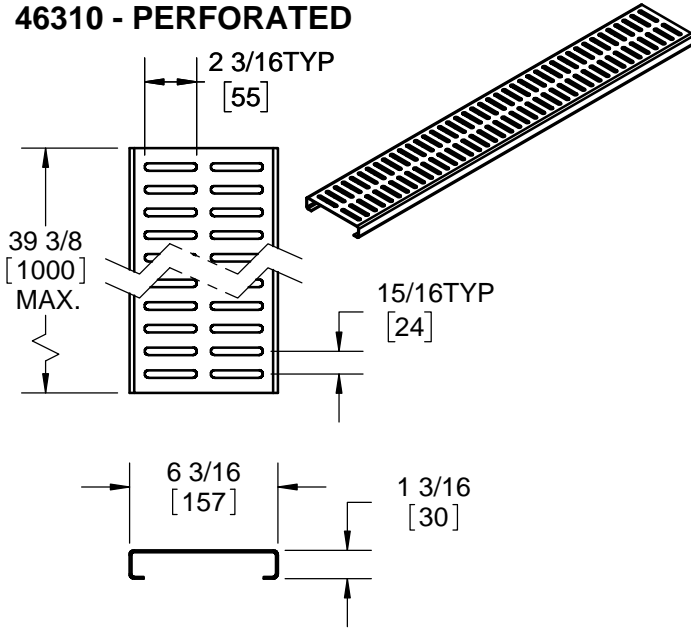
SPECIFICATION:

GRATE ASSORTMENT FOR JOSAM SERIES 46300 6" WIDE CHANNELS
IN TYPE 304 MATERIAL (316L AVAILABLE).

**SS TRENCH CHANNEL
GRATES 6" WIDE**

SERIES **46300**

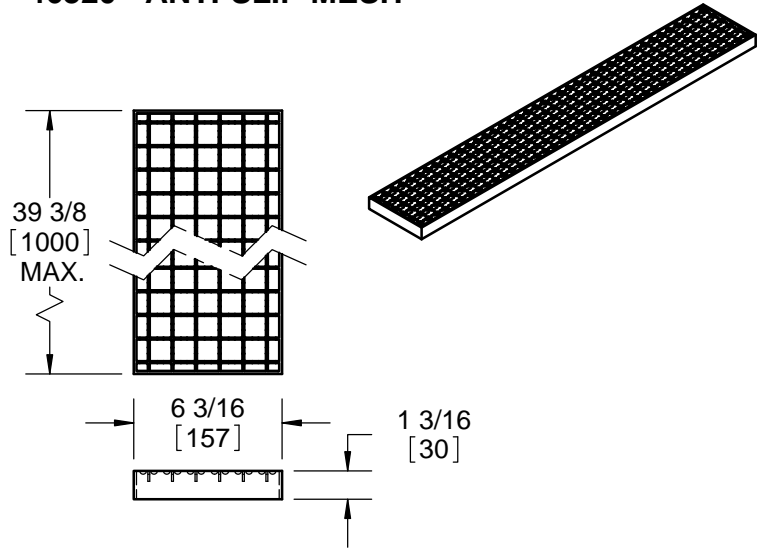
46310 - PERFORATED



SLOT WIDTH - .3" [8]
FREE AREA - 55 IN²

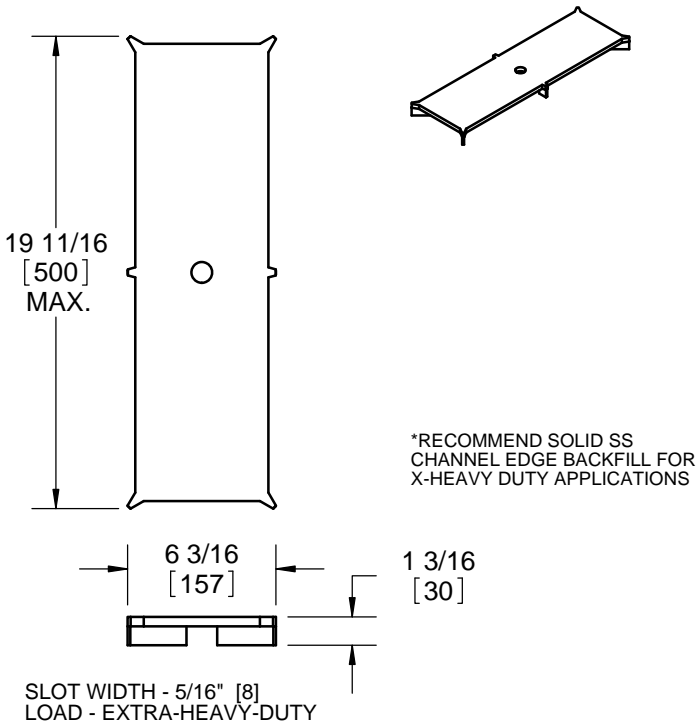
LOAD - LIGHT-DUTY
MEETS ADA AND HEEL-PROOF REQS.

46320 - ANTI-SLIP MESH

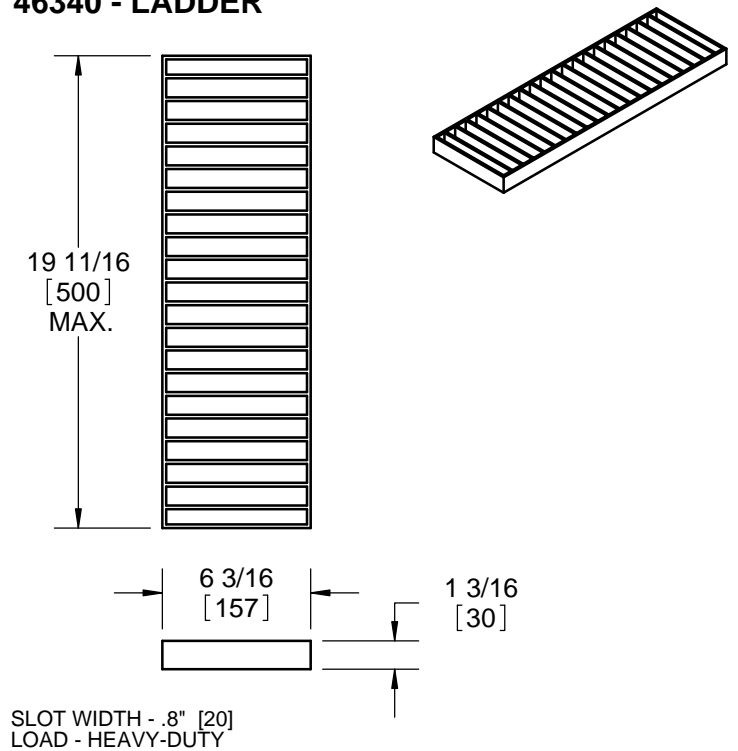


OPENINGS - .9" X .9" [23 X 23]
LOAD - MEDIUM-DUTY

46330 - PERIMETER SLOT



46340 - LADDER



WARNING: Cancer and Reproductive Harm - www.P65Warnings.ca.gov

DATE OF LAST CHANGE: 7/17/18

DIMENSIONS ARE SUBJECT TO MANUFACTURERS TOLERANCES AND CHANGE WITHOUT NOTICE. WE CAN ASSUME NO RESPONSIBILITY FOR USE OF SUPERSEDED OR VOID DATA.

JOSAM
MICHIGAN CITY, INDIANA

NOTES