

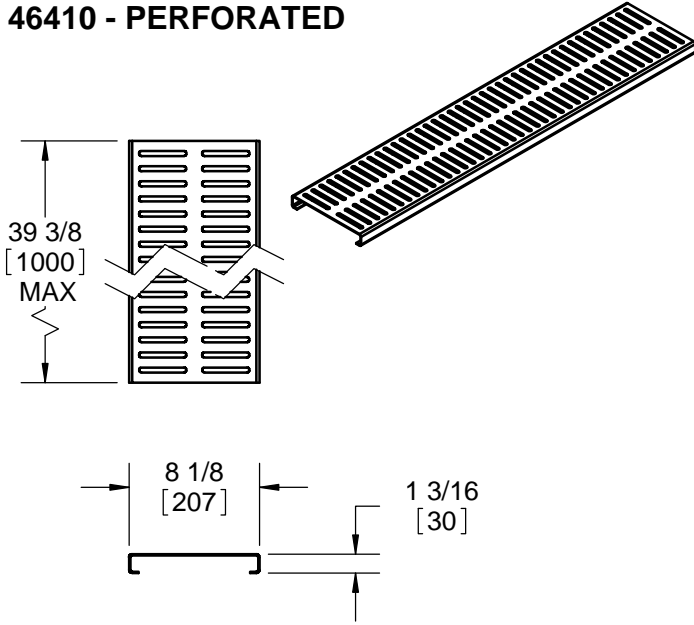
**SPECIFICATION:**

GRATE ASSORTMENT FOR JOSAM SERIES 46400 8" WIDE CHANNELS  
IN TYPE 304 MATERIAL (316L AVAILABLE).

**SS TRENCH CHANNEL  
GRATES 8" WIDE**

SERIES **46400**

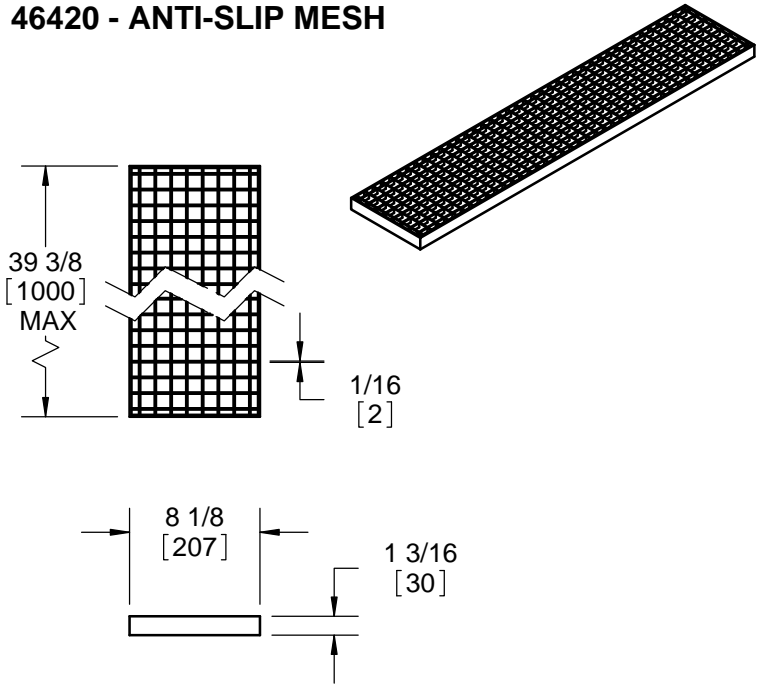
**46410 - PERFORATED**



SLOT WIDTH - .3" [8]  
FREE AREA - 74 IN<sup>2</sup>

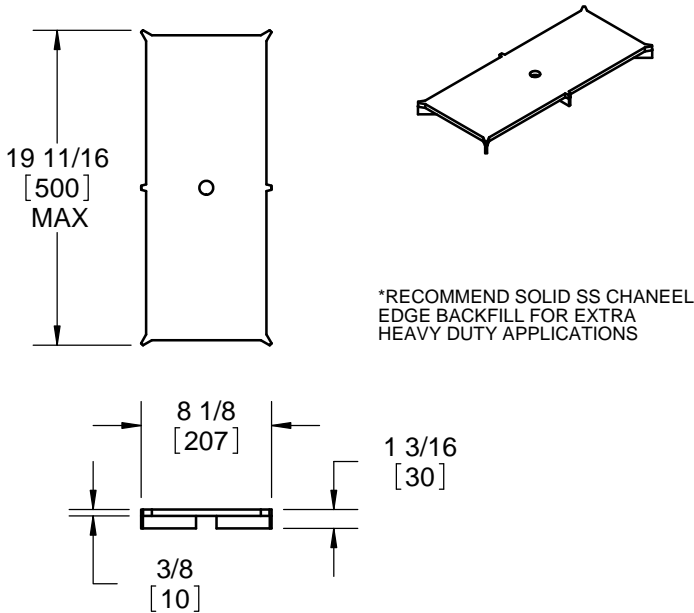
LOAD - LIGHT-DUTY  
MEETS ADA AND HEEL-PROOF REQS.

**46420 - ANTI-SLIP MESH**



OPENINGS - .9" X .9" [23 X 23]  
LOAD - MEDIUM-DUTY

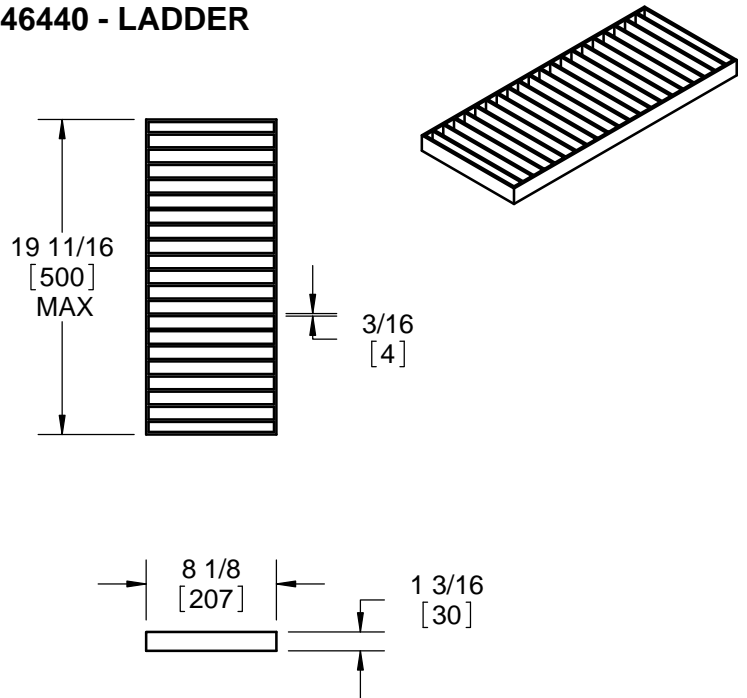
**46430 - PERIMETER SLOT**



\*RECOMMEND SOLID SS CHANEEL  
EDGE BACKFILL FOR EXTRA  
HEAVY DUTY APPLICATIONS

SLOT WIDTH - .3" [8]  
LOAD - EXTRA-HEAVY-DUTY

**46440 - LADDER**



SLOT WIDTH - .8" [20]  
LOAD - HEAVY-DUTY

WARNING: Cancer and Reproductive Harm - www.P65Warnings.ca.gov

DATE OF LAST CHANGE: 7/17/18

DIMENSIONS ARE SUBJECT TO MANUFACTURERS  
TOLERANCES AND CHANGE WITHOUT NOTICE.  
WE CAN ASSUME NO RESPONSIBILITY FOR  
USE OF SUPERSEDED OR VOID DATA.

**JOSAM**

MICHIGAN CITY, INDIANA

NOTES