

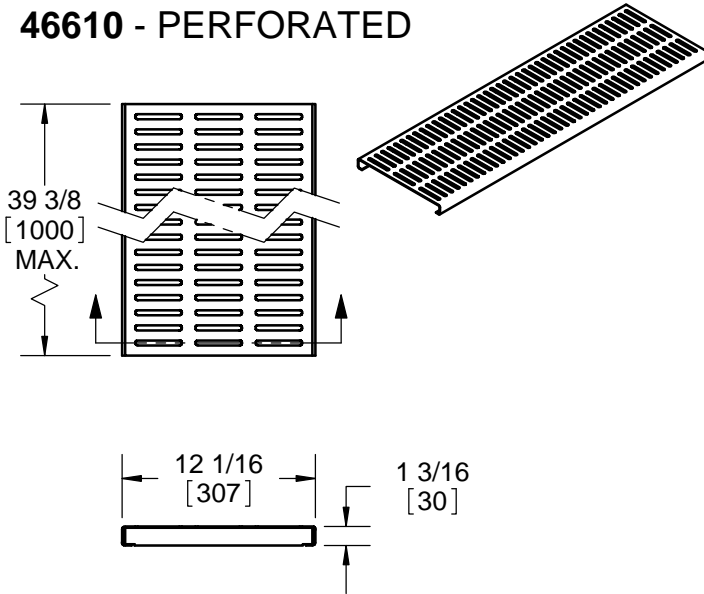
SPECIFICATION:

GRATE ASSORTMENT FOR JOSAM SERIES 46600 12" WIDE CHANNELS
IN TYPE 304 MATERIAL (TYPE 316L AVAIL.).

**SS TRENCH CHANNEL
GRATES 12" WIDE**

SERIES **46600**

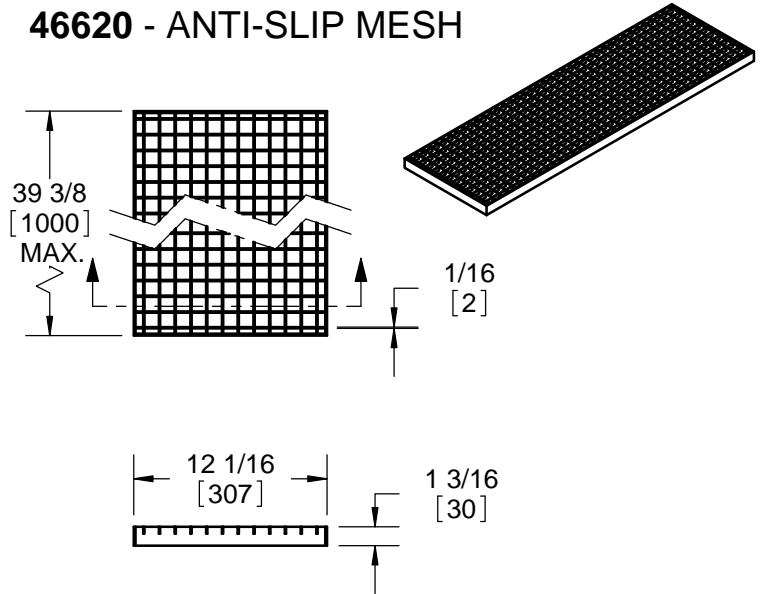
46610 - PERFORATED



SLOT WIDTH - .31" [8]
FREE AREA - 112 IN²

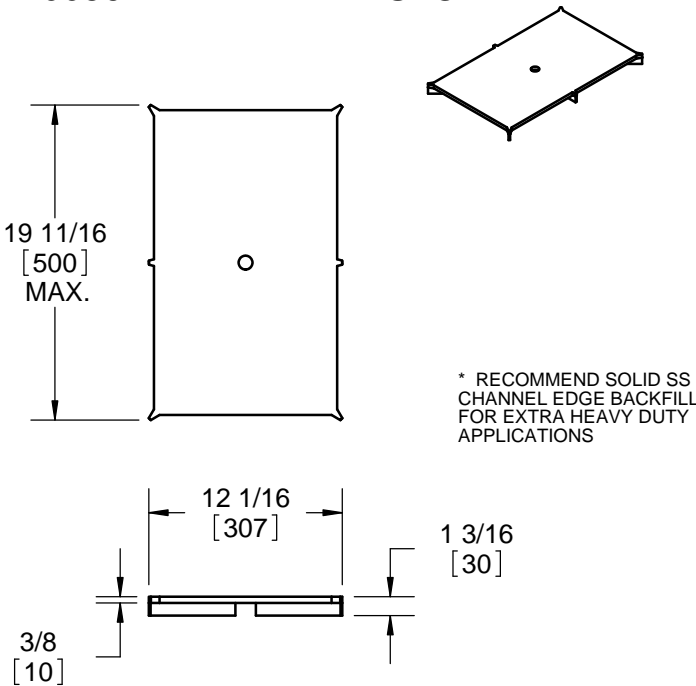
LOAD - LIGHT DUTY
MEETS ADA AND HEEL-PROOF REQS.

46620 - ANTI-SLIP MESH



OPENINGS - .9" X .9" [23 X 23]
LOAD - MEDIUM DUTY

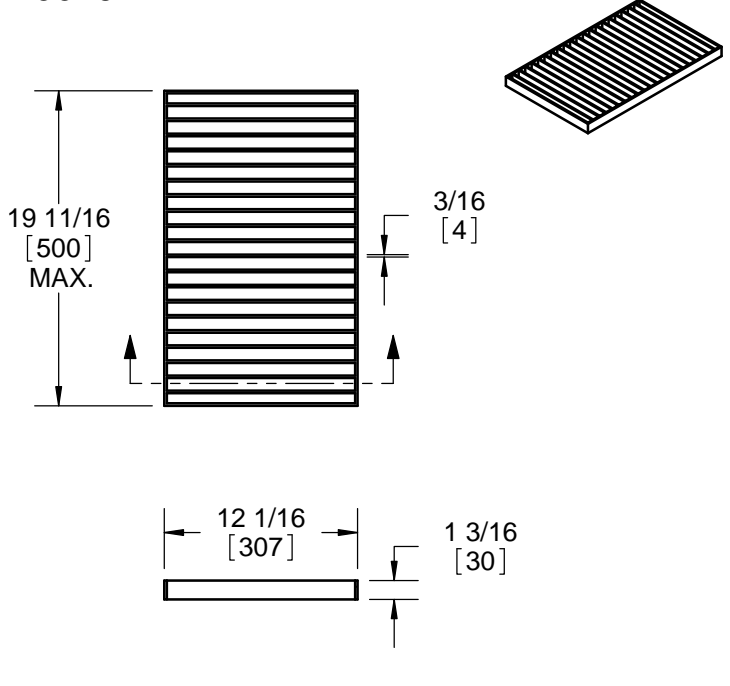
46630 - PERIMETER SLOT



* RECOMMEND SOLID SS
CHANNEL EDGE BACKFILL
FOR EXTRA HEAVY DUTY
APPLICATIONS

SLOT WIDTH - .3" [8]
LOAD - EXTRA HEAVY DUTY

46640 - LADDER



SLOT WIDTH - .8" [20]
LOAD - HEAVY DUTY

WARNING: Cancer and Reproductive Harm - www.P65Warnings.ca.gov

DATE OF LAST CHANGE: 7/17/18

DIMENSIONS ARE SUBJECT TO MANUFACTURERS
TOLERANCES AND CHANGE WITHOUT NOTICE.
WE CAN ASSUME NO RESPONSIBILITY FOR
USE OF SUPERSEDED OR VOID DATA.

JOSAM
MICHIGAN CITY, INDIANA

NOTES