

SPECIFICATION:

JOSAM 49400-LF SERIES SQUARE CAST IRON 6" DEEP SUPER-FLO-SEPTOR® FLOOR SINK WITH ACID RESISTING INTERIOR, BOTTOM OUTLET, ALUMINUM INTERNAL DOME STRAINER AND CAST IRON NON-TRAFFIC, ACID-RESISTING, ANTI-TILTING, SUPER-FLO® GRATE.

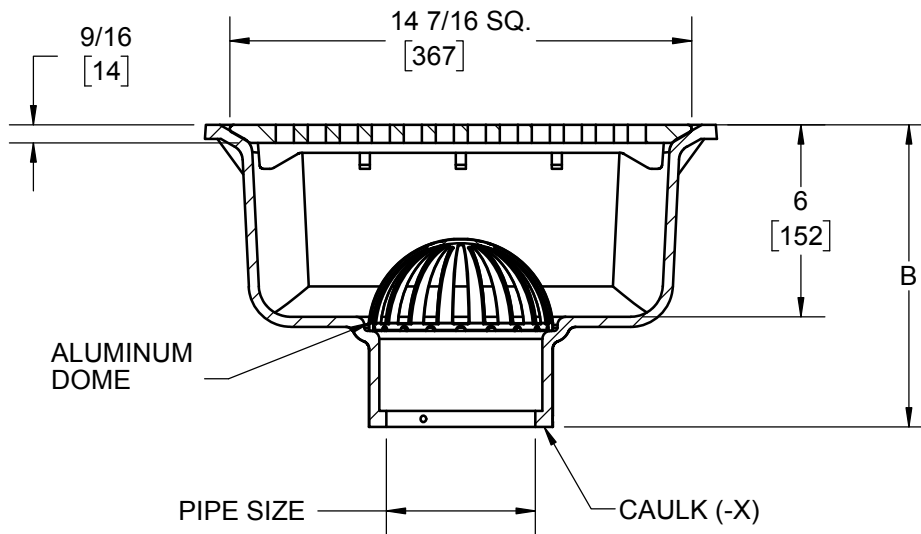
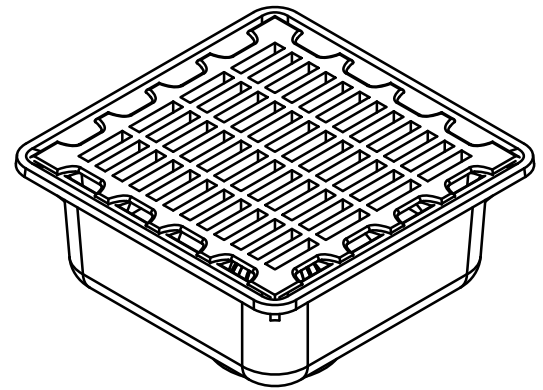
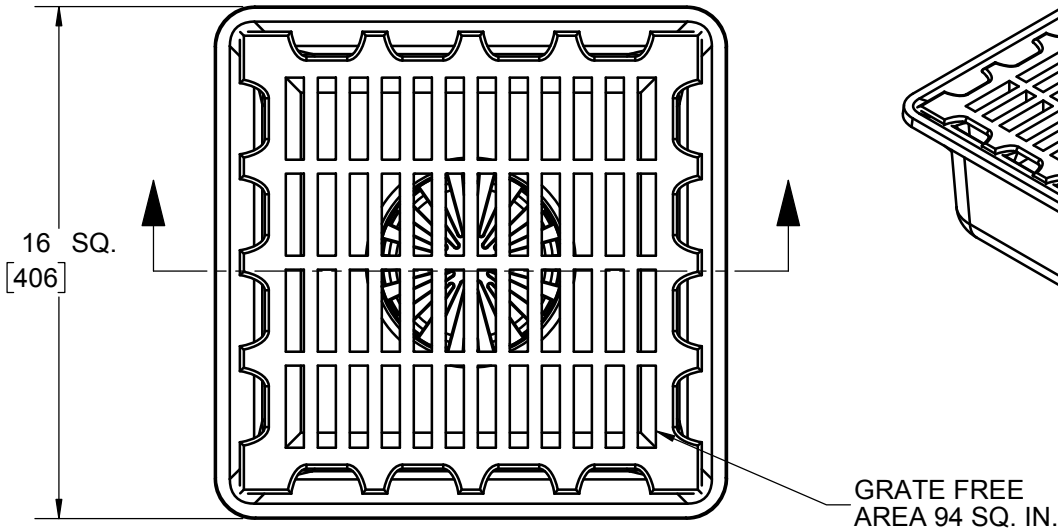
SANITARY FLOOR SINK

16" SQUARE TOP, 6" DEEP

SERIES **49400-LF**

SLOT WIDTH 9/16"

FORMERLY 49410 SERIES



	PIPE SIZE	B
	3"	9-1/2"
	4"	9-1/2"
	6"	9-7/8"

NOTE: 49403 USES 49404 BODY WITH 4x3 REDUCER

Δ	X	Option
	-LF	LESS FLANGE
	-NB	NICKEL BRONZE TRAFFIC TOP
	-LG	LESS GRATE
	-3	HALF (1/2) GRATE
	-4	THREE-QUARTER (3/4) GRATE
	-7	FULL GRATE WITH 2-1/2" CENTER OPENING
	-16	GRATE WITH 4" ROUND FUNNEL
	-17	GRATE WITH 6" ROUND FUNNEL
	-18	GRATE WITH 9" x 3-1/2" OVAL FUNNEL

	-31	SEDIMENT BUCKET, ALUMINUM
	-33	SEDIMENT BUCKET, ACID RESISTANT FINISH
*	-35	BUCKET LINER (STAINLESS STEEL MESH)
	-43	INTERNAL DOME STRAINER, ACID RESISTANT FINISH
	-45	LESS INTERNAL DOME STRAINER
	-55	1/2" PRIMER ADAPTER (6"), ADAPTER 88450 PROVIDED (3"-4")

FOR PAINTED OR GALVANIZED, SEE 37960 SERIES

Δ SEPARATE SUBMITTAL FOR THIS OPTION AVAILABLE

*MUST ALSO SPECIFY -31 OR -33 OPTION

DATE OF LAST CHANGE: 7/05/18

DIMENSIONS ARE SUBJECT TO MANUFACTURERS TOLERANCES AND CHANGE WITHOUT NOTICE. WE CAN ASSUME NO RESPONSIBILITY FOR USE OF SUPERSEDED OR VOID DATA.

JOSAM
MICHIGAN CITY, INDIANA

NOTES