

SPECIFICATION:

JOSAM SERIES 49720-LF-NB RECTANGULAR CAST IRON 7" DEEP SUPER-FLO-SEPTOR® FLOOR SINK WITH ACID RESISTING INTERIOR, BOTTOM OUTLET, ALUMINUM INTERNAL SECONDARY STRAINER, NIKALOY RIM AND LIGHT-DUTY ANTI-TILTING NIKALOY GRATE.

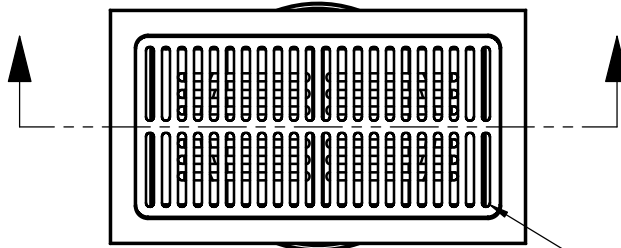
SANITARY FLOOR SINK

6" x 12" RECTANGULAR TOP,
7" DEEP

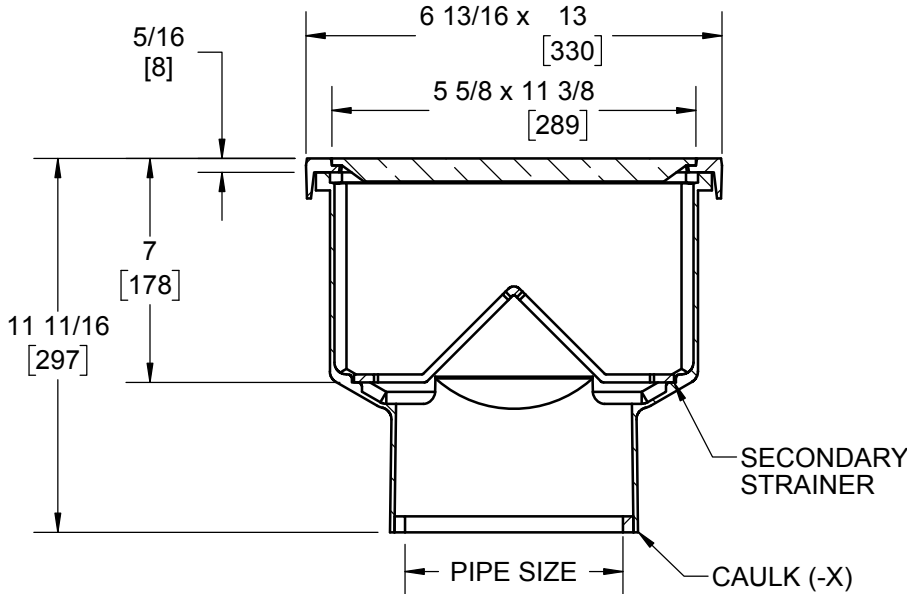
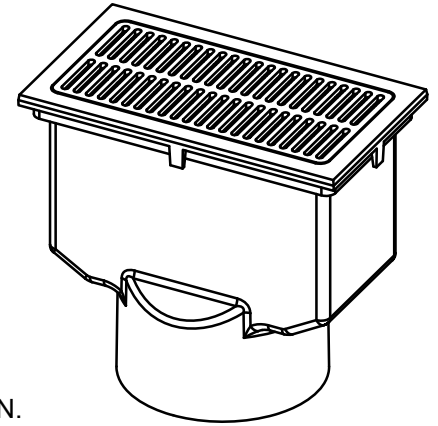
SERIES **49720-LF-NB**

SLOT WIDTH 1/4"

FORMERLY 49630 SERIES



GRATE FREE AREA 25 SQ. IN.



PIPE SIZE	
<input type="checkbox"/>	3"
<input type="checkbox"/>	4"
<input type="checkbox"/>	6"

X	-LF	LESS FLANGE
X	-NB	NICKEL BRONZE TRAFFIC TOP
	-LG	LESS GRATE
	-3	HALF (1/2) GRATE
	-4	THREE-QUARTER (3/4) GRATE
	-7	FULL GRATE WITH 2-1/2" CENTER OPENING
	-8	ALUMINUM DEPRESSED GRATE
	-VP	SECURED GRATE, VANDAL-PROOF SCREWS
	-16	GRATE WITH 4" ROUND FUNNEL
	-18	GRATE WITH 9" x 3-1/2" OVAL FUNNEL

	-30	STAINLESS STEEL SEDIMENT BUCKET
	-43	INTERNAL SECONDARY STRAINER, ACID RESISTANT FINISH
	-45	LESS INTERNAL SECONDARY STRAINER
	-51	GALV. CAST IRON, INSIDE AND OUTSIDE (NO ARE)
	-52	PAINTED, INSIDE AND OUTSIDE (NO ARE)
	-55	1/2" PRIMER TAP (6"), ADAPTER 88450 PROVIDED (3"-4")
	-X	INSIDE CAULK OUTLET

Δ SEPARATE SUBMITTAL FOR THIS OPTION AVAILABLE

DATE OF LAST CHANGE: 7/09/18

DIMENSIONS ARE SUBJECT TO MANUFACTURERS TOLERANCES AND CHANGE WITHOUT NOTICE. WE CAN ASSUME NO RESPONSIBILITY FOR USE OF SUPERSEDED OR VOID DATA.

JOSAM
MICHIGAN CITY, INDIANA

NOTES