

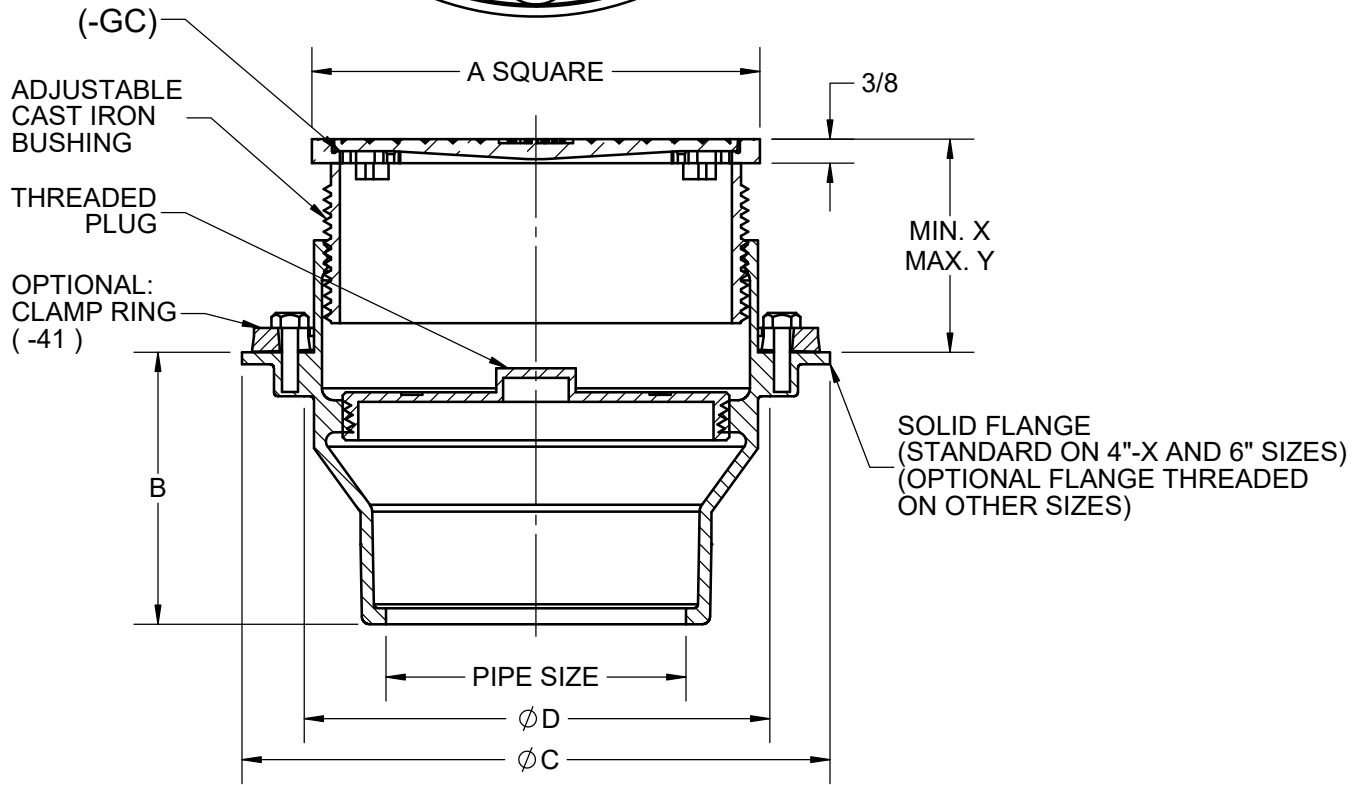
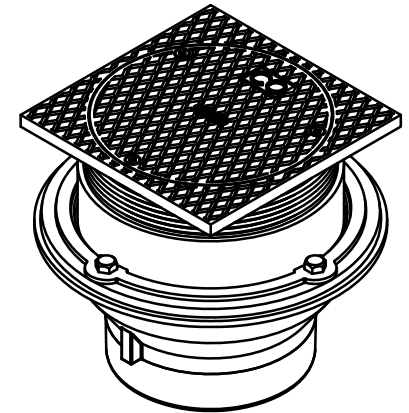
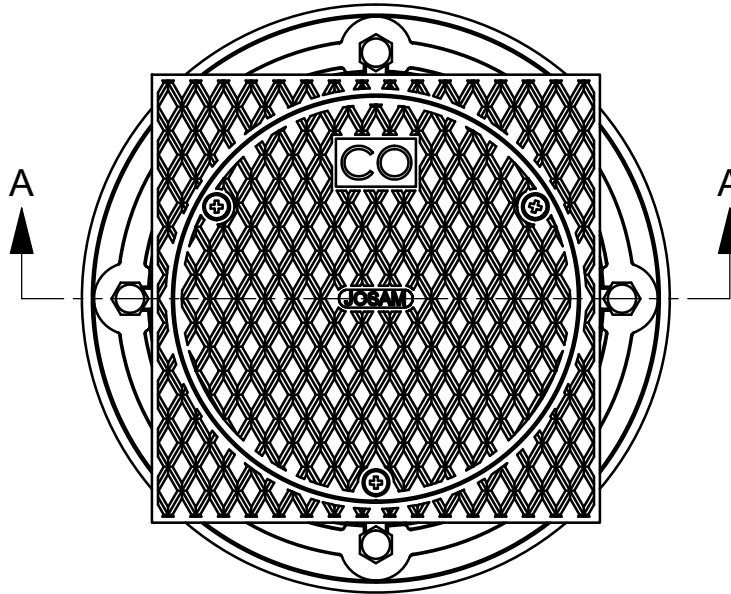
SPECIFICATION:

JOSAM SERIES 55000-SS-SQ STAINLESS STEEL KLEENATRON® II LEVELEZE® FLOOR CLEANOUT, INTERNAL ABS CLEANOUT PLUG, ADJUSTABLE CAST IRON HOUSING WITH MEDIUM-DUTY SCORIATED SECURED SQUARE STAINLESS STEEL COVER.

CLEANOUT

SQUARE STAINLESS TOP ASSEMBLY

SERIES **55000-SS-SQ**



PIPE SIZE	A	B	C	D	X	Y
2"	5 3/8	3 3/4	7 1/2	5 9/16	2 1/8	3 7/8
3"	5 3/8	3 3/4	7 1/2	5 9/16	2 1/8	3 7/8
4"	5 3/8	3 3/4	7 1/2	5 9/16	2 1/8	3 7/8
4"-X	7	4 1/4	9 3/16	7	2	3 15/13
5"-Z	5 3/8	3 3/4	7 1/2	5 9/16	2 1/8	3 7/8
6"-Z	7	4 1/4	9 3/16	7	2	3 15/13

-GC	GASKETED COVER
-----	----------------

WARNING: Cancer and Reproductive Harm - www.P65Warnings.ca.gov

DATE OF LAST CHANGE: 05/23/19

DIMENSIONS ARE SUBJECT TO MANUFACTURERS TOLERANCES AND CHANGE WITHOUT NOTICE. WE CAN ASSUME NO RESPONSIBILITY FOR USE OF SUPERSEDED OR VOID DATA.



MICHIGAN CITY, INDIANA

NOTES