

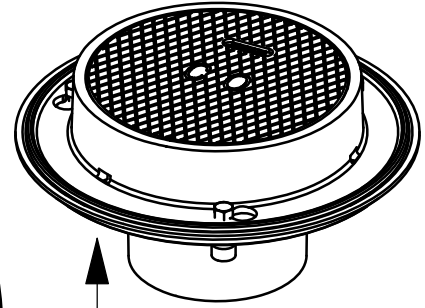
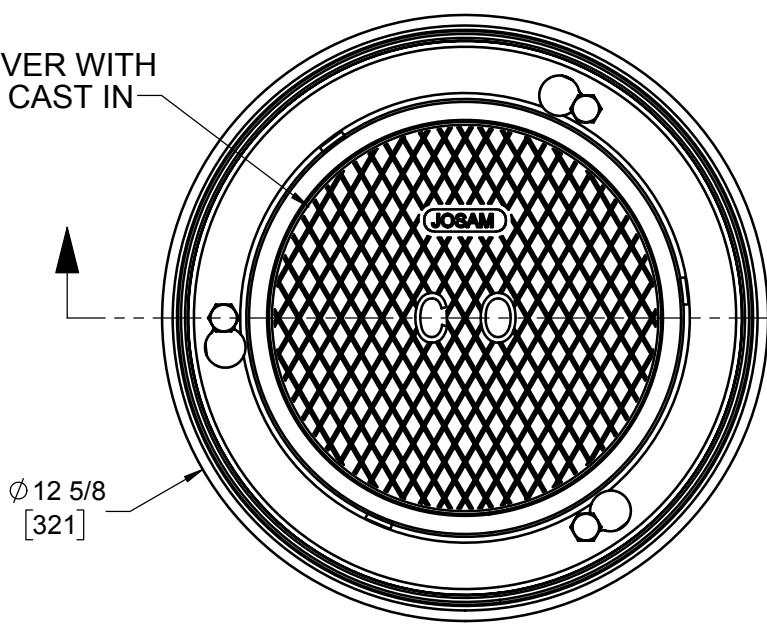
SPECIFICATION:

JOSAM 58460A SERIES COATED CAST IRON FLOOR CLEANOUT, INTERNAL BRONZE COUNTERSUNK PLUG, INSIDE CAULK OUTLET AND SCORIATED ROUND TOP.

**CLEANOUT
FLOOR CLEANOUT**

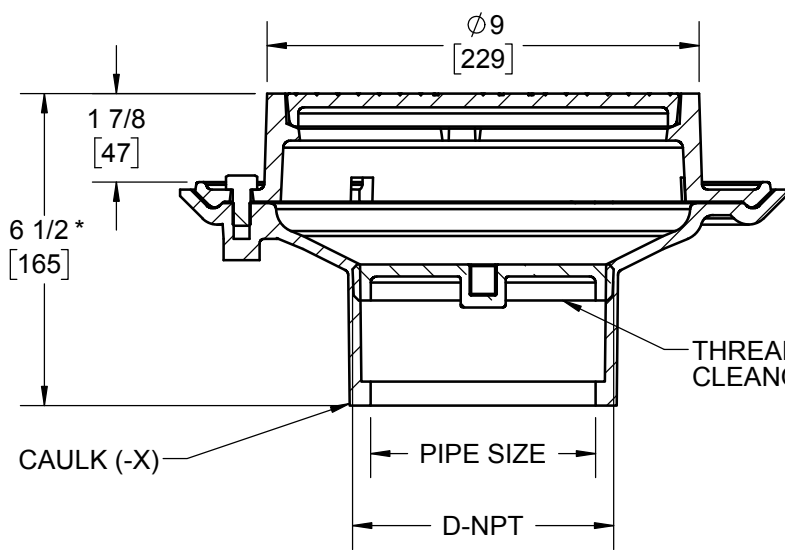
SERIES **58460A**

SCORIATED COVER WITH
LETTERS "C.O." CAST IN



Ø 12 5/8
[321]

PIPE SIZE	D
2"	4
3"	4
4"	5



*ADD 1/4" WHEN FURNISHED WITH NIKALOY OR BRONZE TOP

Δ	Option	Description
	-AE	ADJUSTABLE EXTENSION
	-1	SATIN FINISH NIKALOY TOP
	-2	SATIN FINISH BRONZE TOP
	-6	SQUARE TOP, CAST IRON
	-6-1	SQUARE TOP, NIKALOY
	-6-2	SQUARE TOP, BRONZE
	-12	TOP RECESSED FOR TILE
	-14	CARPET CLEANOUT MARKER
	-VP	SECURED COVER, VANDAL-PROOF SCREWS
	-20	RAISED HEAD BRONZE PLUG
	-31	GALVANIZED CAST IRON PARTS

Δ SEPARATE SUBMITTAL FOR THIS OPTION AVAILABLE

WARNING: Cancer and Reproductive Harm - www.P65Warnings.ca.gov

DATE OF LAST CHANGE: 5/23/18

DIMENSIONS ARE SUBJECT TO MANUFACTURERS TOLERANCES AND CHANGE WITHOUT NOTICE. WE CAN ASSUME NO RESPONSIBILITY FOR USE OF SUPERSEDED OR VOID DATA.



NOTES