

SPECIFICATION:

JOSAM 71650 SERIES TRI-TEMP CAST BRONZE NON-FREEZE WALL HYDRANT WITH SATIN NIKALOY HINGED LATCHING COVER, BRONZE CASINGS, NEOPRENE PLUNGERS, REMOVABLE NYLON SEATS, BRONZE OPERATING PARTS AND 3/4" FEMALE & 1" MALE NPT INLET CONNECTIONS FOR HOT AND COLD WATER AND MIXING CHAMBER WITH 3/4" HPT OUTLET. MAX. HW TEMP: 212°F

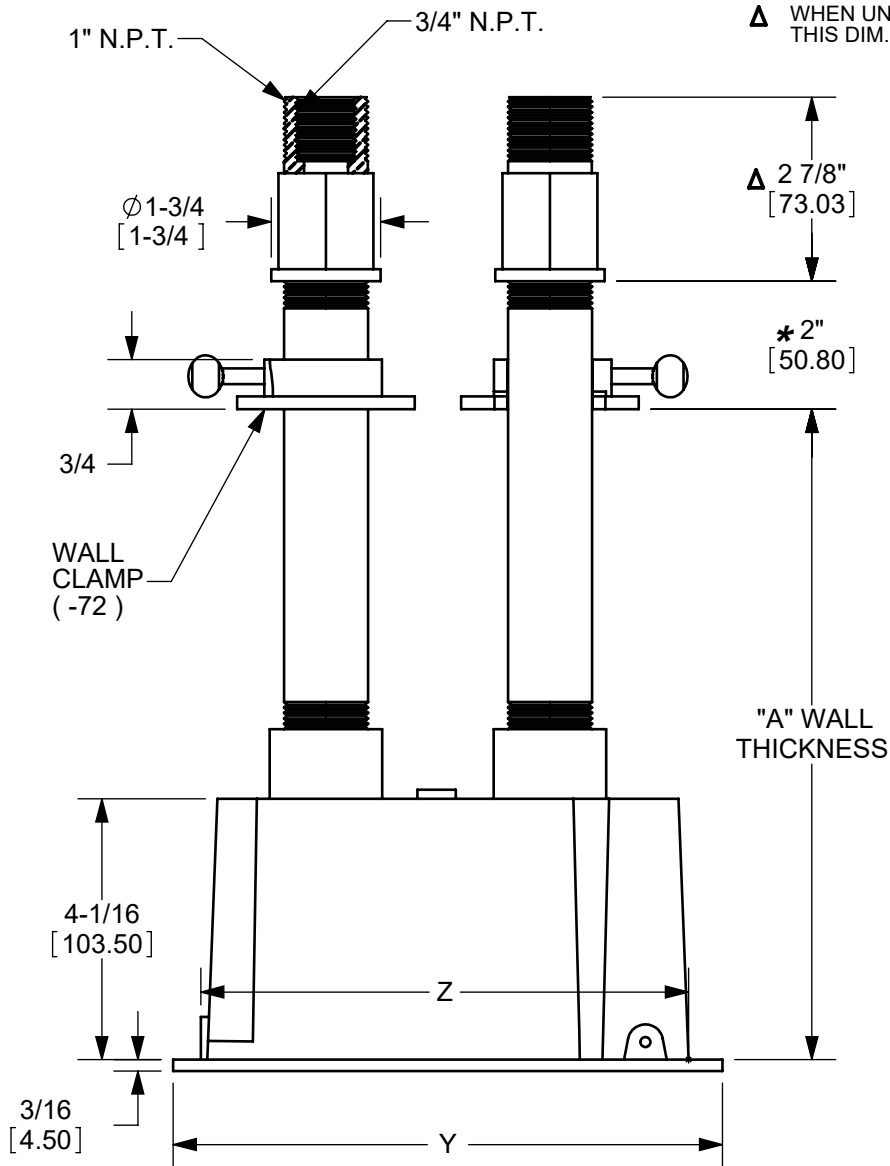
HYDRANTS

TRI-TEMP, NON-FREEZE W/BOX

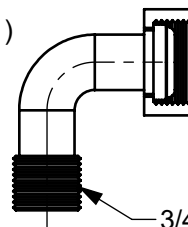
SERIES

71650

* AT WALL THICKNESS SPECIFIED

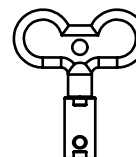


UNION ELBOW (-74)

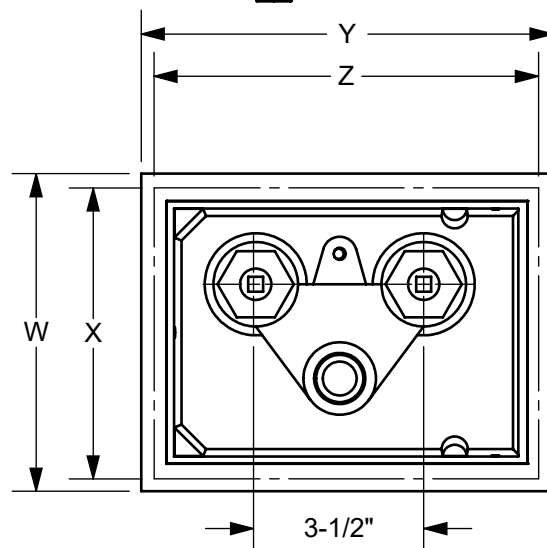
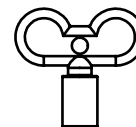


3/4 NPT

DOOR KEY
(1/4 SQ.)



CONTROL KEY
(5/16 SQ.)



BOX TYPE	W	X	Y	Z
DOMESTIC CAST	7-1/4	6-3/4	9	8-1/2
STANDARD	6-5/8	6-1/8	8-5/8	8-1/8

-72	WALL CLAMP			TYPE	A		TYPE	A
-73	SOLDER INLET ADAPTER			71650-6	6		71650-16	16
-74	UNION ELBOW ASSEMBLY			71650-8	8		71650-18	18
-81	VACUUM BREAKER (MEETS ASSE 1011) (W/STANDARD BOX)			71650-10	10		71650-20	20
-91	1" HOSE PIPE THREADED OUTLET			71650-12	12		71650-22	22
-95	CYLINDER VANDAL-PROOF LOCK			71650-14	14		71650-24	24

DATE OF LAST CHANGE: 05/07/20

DIMENSIONS ARE SUBJECT TO MANUFACTURERS TOLERANCES AND CHANGE WITHOUT NOTICE. WE CAN ASSUME NO RESPONSIBILITY FOR USE OF SUPERSEDED OR VOID DATA.

JOSAM

MICHIGAN CITY, INDIANA

NOTES

WARNING: Cancer and Reproductive Harm - www.P65Warnings.ca.gov