

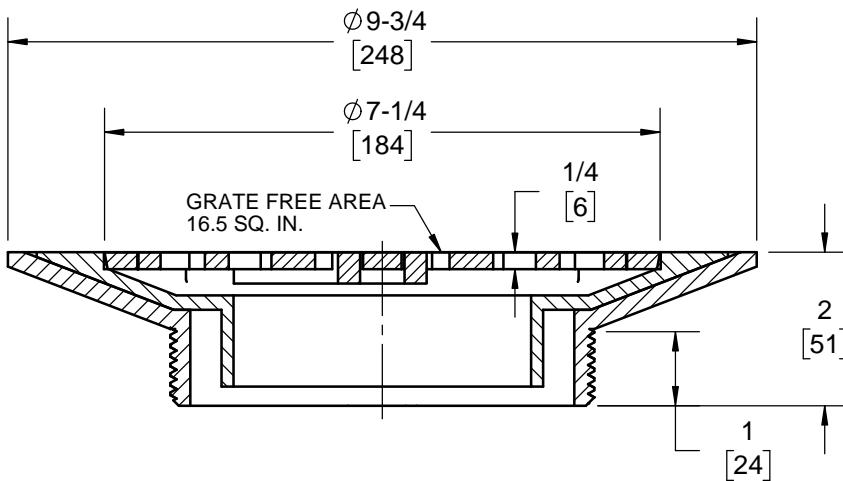
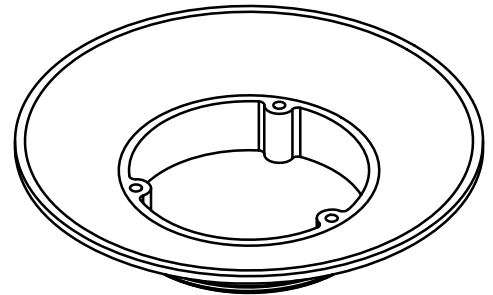
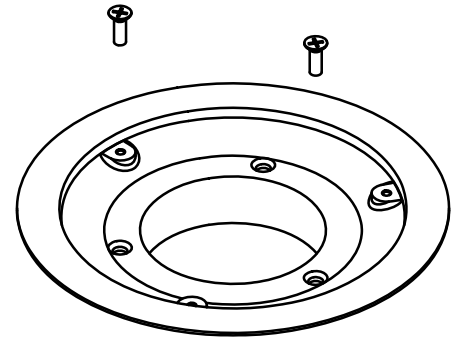
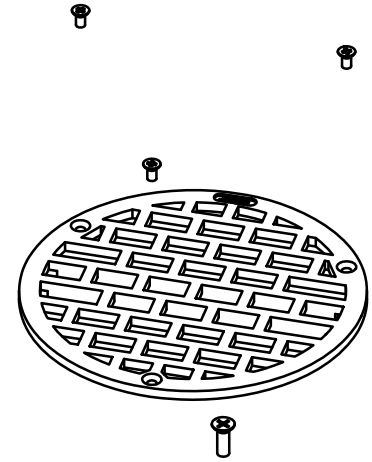
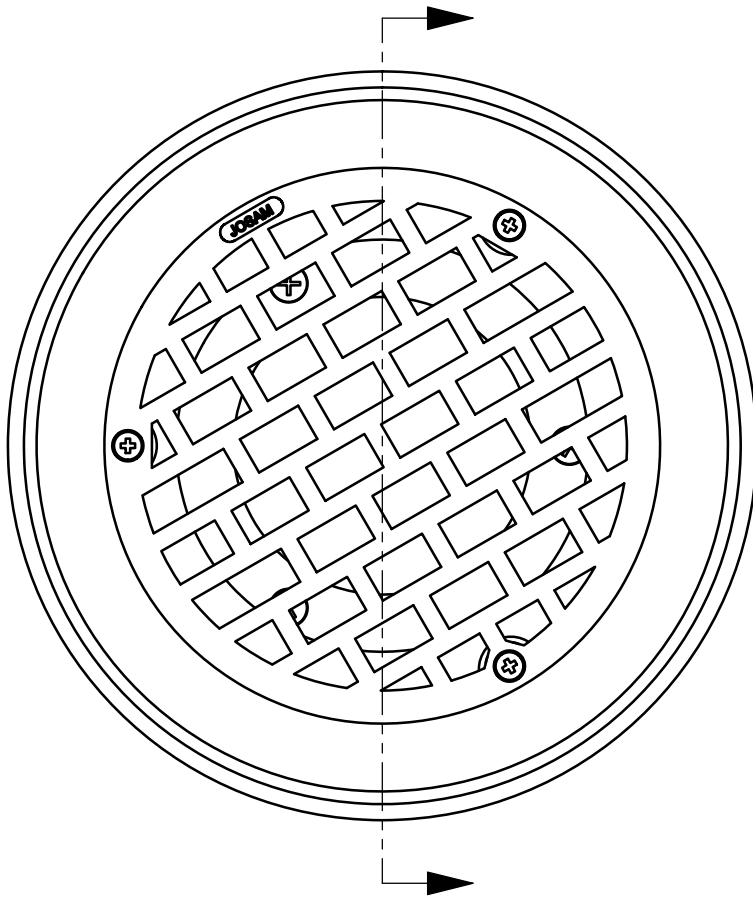
**SPECIFICATION:**

JOSAM SERIES 9AD ADJUSTABLE SATIN FINISH NIKALOY ROUND STRAINER THREADED WITH JOSAM ADJUSTABLE STRAINER THREAD.

**FLOOR DRAIN  
ADJUSTABLE STRAINER**

SERIES **9AD**

**SLOT WIDTH 1/2"**



-2 SATIN FINISH BRONZE

-VP SECURED GRATE

DATE OF LAST CHANGE: 7/24/18

DIMENSIONS ARE SUBJECT TO MANUFACTURERS TOLERANCES AND CHANGE WITHOUT NOTICE. WE CAN ASSUME NO RESPONSIBILITY FOR USE OF SUPERSEDED OR VOID DATA.

**JOSAM**  
MICHIGAN CITY, INDIANA

NOTES

WARNING: Cancer and Reproductive Harm - www.P65Warnings.ca.gov