

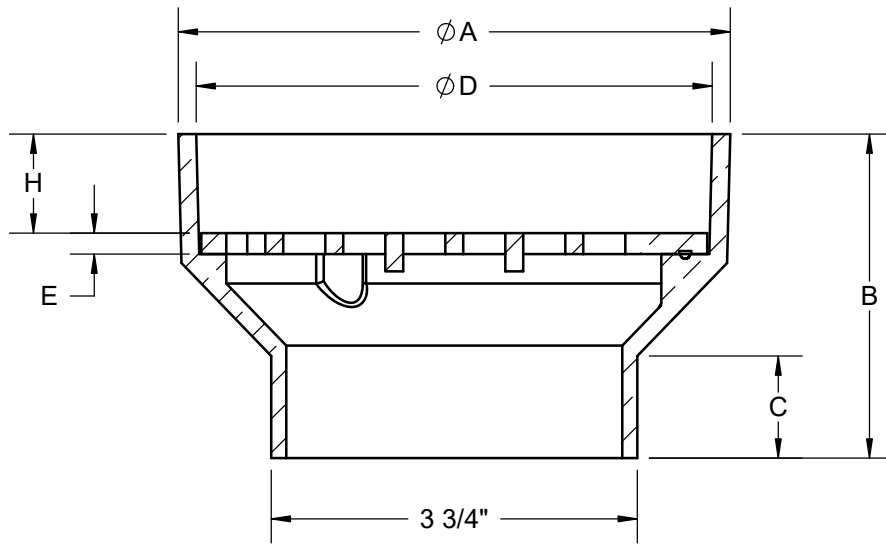
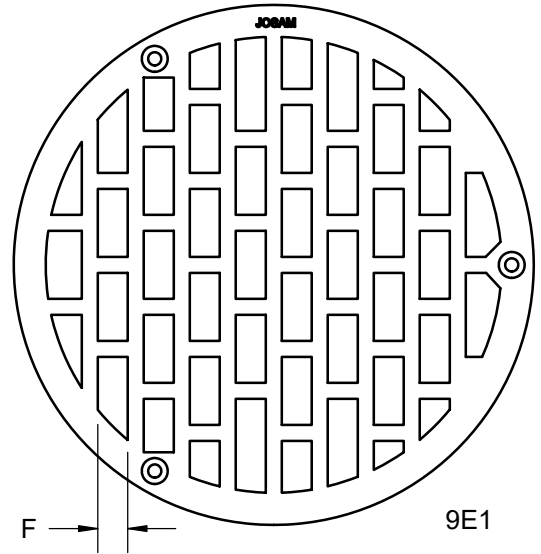
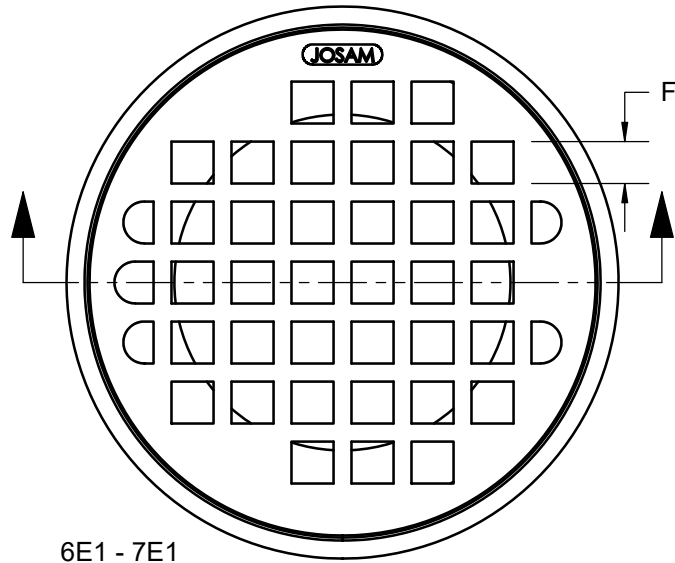
SPECIFICATION:

JOSAM SERIES "E1" ADJUSTABLE SATIN FINISH NIKALOY ROUND STRAINER WITH EXTENDED RIM, THREADED WITH JOSAM ADJUSTABLE STRAINER THREAD.

MEETS ADA REQS.

**FLOOR DRAIN
ADJUSTABLE STRAINER**

SERIES **E1**



	TYPE No.	A	B	C	D	E	F	H	FREE AREA	LBS.
	6E1	5-3/4	3-3/8	1	5-3/8	7/32	7/16	1-1/4	4	5
	7E1	7-1/8	3	1-1/8	6-3/8	7/32	3/8	1	8.2	7
	9E1	8-7/8	3-1/8	7/8	8-3/8	9/32	1/2	1-1/2	21.2	9

WARNING: Cancer and Reproductive Harm - www.P65Warnings.ca.gov

-2	BRONZE ADJUSTABLE STRAINER	-J	BACKWATER VALVE
-80	PERFORATED STAINLESS STEEL BASKET	-VP	SECURED GRATE, VANDAL-PROOF SCREWS
		-TSI	TRAP SEAL INSERT

DATE OF LAST CHANGE: 03/12/19

DIMENSIONS ARE SUBJECT TO MANUFACTURERS TOLERANCES AND CHANGE WITHOUT NOTICE. WE CAN ASSUME NO RESPONSIBILITY FOR USE OF SUPERSEDED OR VOID DATA.

JOSAM
MICHIGAN CITY, INDIANA

NOTES