

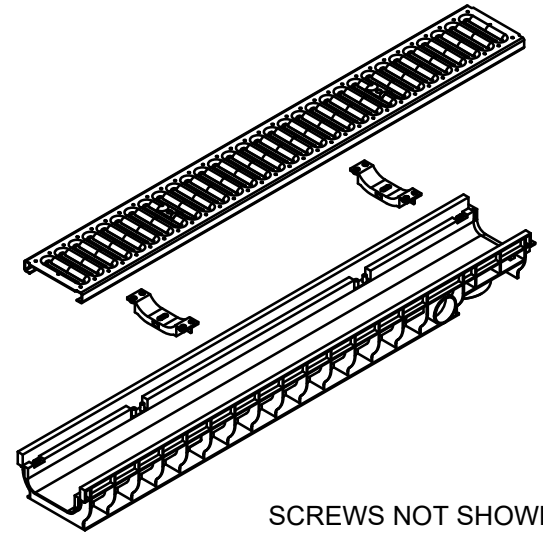
SPECIFICATION:

JOSAM SERIES TD-130-GALV SHALLOW HDPE CHANNEL,
GALVANIZED STEEL CLASS "A" GRATE, AND (2) LOCKING BAR
DEVICES.

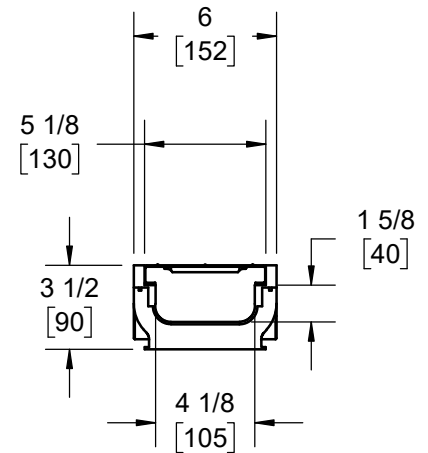
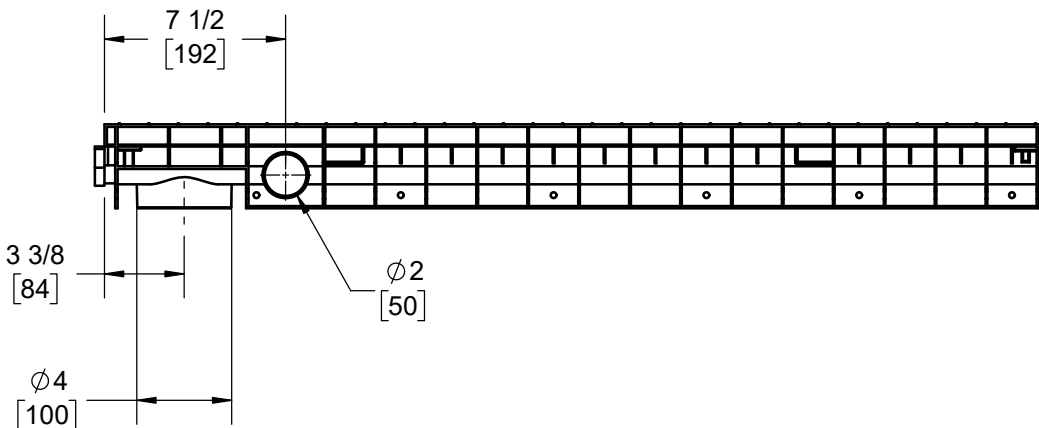
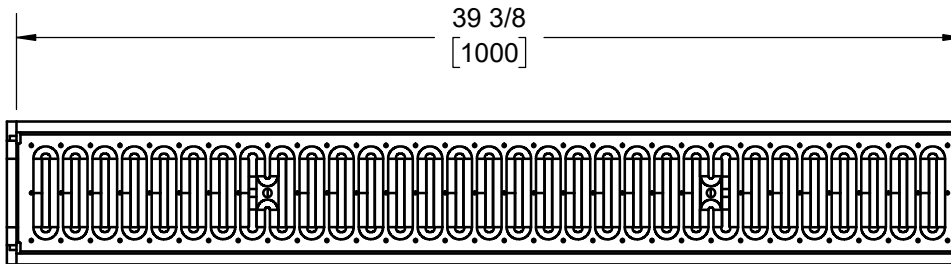
**LITE LINE
TRENCH DRAIN**

SERIES **TD-130-GALV**

SLOT WIDTH: 11/32" [8.6]
MEETS ADA REQUIREMENTS
MAX. CONTINUOUS OPERATING TEMP.: 140°F



SCREWS NOT SHOWN



WARNING: Cancer and Reproductive Harm - www.P65Warnings.ca.gov

DATE OF LAST CHANGE: 11/14/19

DIMENSIONS ARE SUBJECT TO MANUFACTURERS
TOLERANCES AND CHANGE WITHOUT NOTICE.
WE CAN ASSUME NO RESPONSIBILITY FOR
USE OF SUPERSEDED OR VOID DATA.

JOSAM

MICHIGAN CITY, INDIANA

NOTES