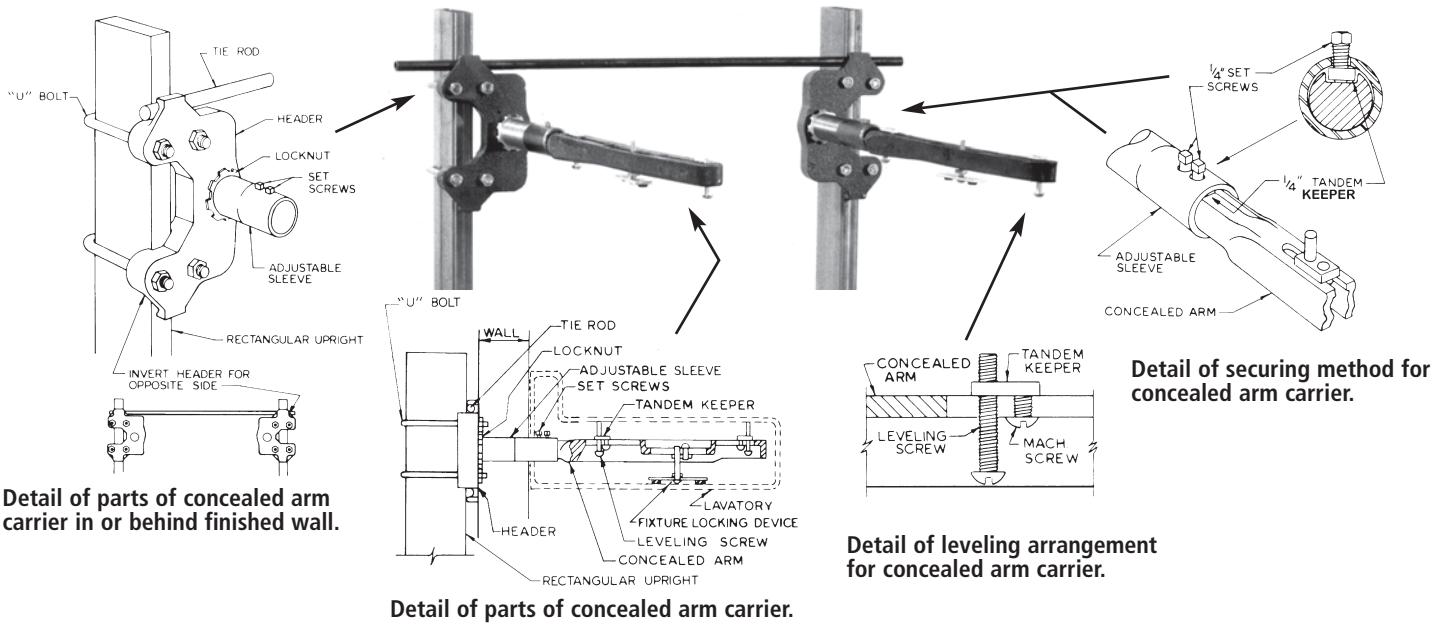


FIXTURE CARRIERS

Concealed Arms Features

CONCEALED TYPE LAVATORY CARRIER

1. Tandem keepers in slots on the arm permit positioning of leveling screws on the job to suit punchings of any lavatory specified.
2. Screws in keepers can then easily be moved up or down to level the lavatory.
3. The securing lock device is positioned on the arm and tightens against the fixture to hold it rigidly in place.
4. The sleeve can be adjusted to suit various wall thicknesses.
5. The final setting of the arm out from the wall can be made from the face of the finished wall after the wall is built.
6. The set screws are easily accessible for quicker adjustment.
7. Arm with the locking device, tandem keepers, and adjustable sleeve, is completely assembled at the factory.
8. Hardware is plated to prevent corrosion.



Detail of parts of concealed arm carrier in or behind finished wall.

Detail of parts of concealed arm carrier.

Detail of leveling arrangement for concealed arm carrier.

Parts & Details Lavatory, Sink & Urinal Carriers

The drawings on this page show the relationship between mating parts of carriers covered in this section.

