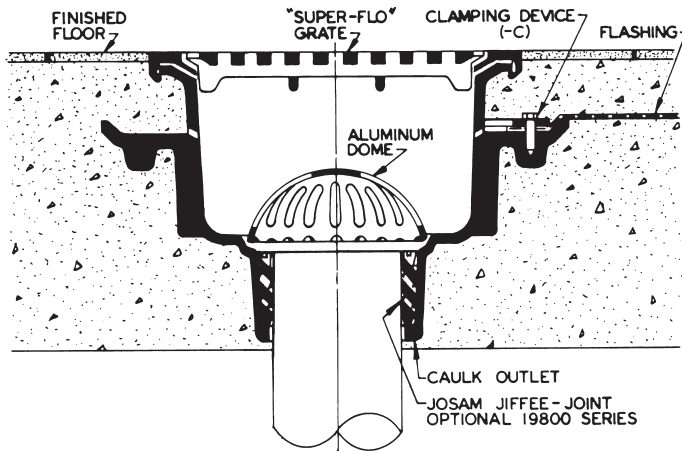
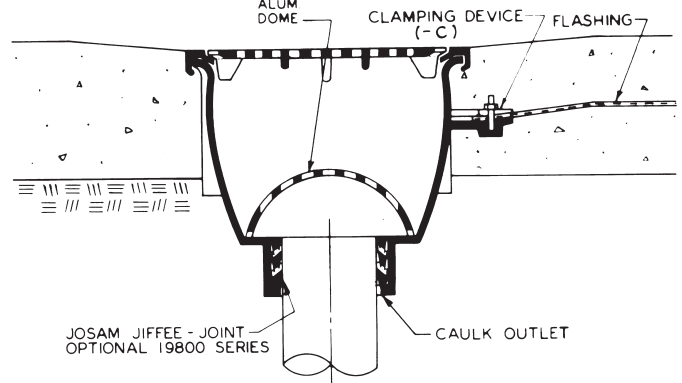


SANITARY FLOOR SINKS

Typical Installations



49320A-NB Series SUPER-FLO-SEPTOR® Floor Sink shown installed in a heavy-duty structural concrete finish floor.



49580A-NB Series SUPER-FLO-SEPTOR® Floor Sink shown installed in a poured concrete floor on the ground level.

Former Numbers To New Numbers

In order to simplify ordering, products which are a variation of a standard product have been given option numbers. For your convenience, the Former Numbers are shown below with the New Numbers. An inverted triangle ▼ to the left of an option indicates that a product illustration follows.

FORMER NO.	NEW NO.	PAGE NO.
49000	49300-NB	FS5
49010	49300-LF-NB	FS5
49020AS	49320A-NB	FS7
49030AS	49320A-LF-NB	FS7
49040AS	49340A-NB	FS9
49050AS	49340A-LF-NB	FS9
49060AS	49360A-NB	FS11
49070AS	49360A-LF-NB	FS11
49100	49400-NB	FS13
49110	49400-LF-NB	FS13
49120	49420-NB	FS15
49130	49420-LF-NB	FS15
49200	49500-NB	FS17
49210	49500-LF-NB	FS17
49220A	49520A-NB	FS19
49230A	49520A-LF-NB	FS19
49280A	49580A-NB	FS21

FORMER NO.	NEW NO.	PAGE NO.
49290A	49580A-LF-NB	FS21
49310	49300-LF	FS4
49330A	49320A-LF	FS6
49350A	49340A-LF	FS8
49370A	49360A-LF	FS10
49410	49400-LF	FS12
49430	49420-LF	FS14
49510	49500-LF	FS16
49530A	49520A-LF	FS18
49590A	49580A-LF	FS20
49600	49700-NB	FS23
49610	49700-LF-NB	FS23
49620	49720-NB	FS25
49630	49720-LF-NB	FS25
49710	49700-LF	FS22
49730	49720-LF	FS24
-2	-LG	
-10	-VP	

How To Order

Unless optional materials are specified, standard material shown in Specification will be provided. Last digit indicates outlet size.

EXAMPLE: Series No. 49320A-NB

Type No. 49324A-NB

49324A-NB -Z -VP -31

Outlet Size _____

Outlet Type, No-Hub Spigot Outlet _____

Option, Secured Cover, Vandal-Proof Screws _____

Option, Sediment Bucket (Aluminum) _____